

Developer Manual V2.6.13-1-gdf19ffe, 2016-12-03

Contents

1	Introduction	1
2	Code Notes	2
2.1	Intended audience	2
2.2	Organization	2
2.3	Terms and definitions	2
2.4	Architecture overview	3
2.5	Motion Controller Introduction	5
2.6	Block diagrams and Data Flow	7
2.7	Commands	8
2.7.1	ABORT	8
2.7.1.1	Requirements	8
2.7.1.2	Results	8
2.7.2	FREE	8
2.7.2.1	Requirements	9
2.7.2.2	Results	9
2.7.3	TELEOP	9
2.7.3.1	Requirements	9
2.7.3.2	Results	9
2.7.4	COORD	9
2.7.4.1	Requirements	9
2.7.4.2	Results	10
2.7.5	ENABLE	10
2.7.5.1	Requirements	10
2.7.5.2	Results	10
2.7.6	DISABLE	10
2.7.6.1	Requirements	10
2.7.6.2	Results	10
2.7.7	ENABLE_AMPLIFIER	10
2.7.7.1	Requirements	10

2.7.7.2	Results	10
2.7.8	DISABLE_AMPLIFIER	11
2.7.8.1	Requirements	11
2.7.8.2	Results	11
2.7.9	ACTIVATE_JOINT	11
2.7.9.1	Requirements	11
2.7.9.2	Results	11
2.7.10	DEACTIVATE_JOINT	11
2.7.10.1	Requirements	11
2.7.10.2	Results	11
2.7.11	ENABLE_WATCHDOG	11
2.7.11.1	Requirements	11
2.7.11.2	Results	12
2.7.12	DISABLE_WATCHDOG	12
2.7.12.1	Requirements	12
2.7.12.2	Results	12
2.7.13	PAUSE	12
2.7.13.1	Requirements	12
2.7.13.2	Results	12
2.7.14	RESUME	12
2.7.14.1	Requirements	12
2.7.14.2	Results	12
2.7.15	STEP	12
2.7.15.1	Requirements	13
2.7.15.2	Results	13
2.7.16	SCALE	13
2.7.16.1	Requirements	13
2.7.16.2	Results	13
2.7.17	OVERRIDE_LIMITS	13
2.7.17.1	Requirements	13
2.7.17.2	Results	13
2.7.18	HOME	13
2.7.18.1	Requirements	13
2.7.18.2	Results	13
2.7.19	JOG_CONT	14
2.7.19.1	Requirements	14
2.7.19.2	Results	14
2.7.20	JOG_INCR	14
2.7.20.1	Requirements	14

2.7.20.2	Results	14
2.7.21	JOG_ABS	14
2.7.21.1	Requirements	14
2.7.21.2	Results	15
2.7.22	SET_LINE	15
2.7.23	SET_CIRCLE	15
2.7.24	SET_TELEOP_VECTOR	15
2.7.25	PROBE	15
2.7.26	CLEAR_PROBE_FLAG	15
2.7.27	SET_xix	15
2.8	Backlash and Screw Error Compensation	15
2.9	Task controller (EMCTASK)	16
2.10	IO controller (EMCIO)	16
2.11	User Interfaces	16
2.12	libnml Introduction	16
2.13	LinkedList	16
2.14	LinkedListNode	16
2.15	SharedMemory	16
2.16	ShmBuffer	16
2.17	Timer	17
2.18	Semaphore	17
2.19	CMS	17
2.20	Configuration file format	18
2.20.1	Buffer line	18
2.20.2	Type specific configs	19
2.20.3	Process line	19
2.20.4	Configuration Comments	20
2.21	NML base class	20
2.21.1	NML internals	21
2.21.1.1	NML constructor	21
2.21.1.2	NML read/write	21
2.21.1.3	NMLmsg and NML relationships	21
2.22	Adding custom NML commands	21
2.23	The Tool Table and Toolchanger	22
2.23.1	Toolchanger abstraction in LinuxCNC	22
2.23.1.1	Nonrandom Toolchangers	22
2.23.1.2	Random Toolchangers	22
2.23.2	The Tool Table	22
2.23.3	Gcodes affecting tools	23

2.23.3.1	Txxx	23
2.23.3.2	M6	23
2.23.3.3	G43/G43.1/G49	24
2.23.3.4	G10 L1/L10/L11	24
2.23.3.5	M61	25
2.23.3.6	G41/G41.1/G42/G42.1	25
2.23.3.7	G40	25
2.23.4	Internal state variables	25
2.23.4.1	IO	26
2.23.4.2	interp	26
3	NML Messages	28
3.1	EMC OPERATOR	28
3.1.1	EMC_OPERATOR_ERROR_TYPE	28
3.1.2	EMC_OPERATOR_TEXT_TYPE	28
3.1.3	EMC_OPERATOR_DISPLAY_TYPE	28
3.2	EMC NULL, SET, DEBUG, & SYSTEM	28
3.2.1	EMC_NULL_TYPE	28
3.2.2	EMC_SET_DEBUG_TYPE	29
3.2.3	EMC_SYSTEM_CMD_TYPE	29
3.3	EMC AXIS	29
3.3.1	EMC_AXIS_SET_AXIS_TYPE	29
3.3.2	EMC_AXIS_SET_UNITS_TYPE	29
3.3.3	EMC_AXIS_SET_GAINS_TYPE	29
3.3.4	EMC_AXIS_SET_CYCLE_TIME_TYPE	29
3.3.5	EMC_AXIS_SET_INPUT_SCALE_TYPE	30
3.3.6	EMC_AXIS_SET_OUTPUT_SCALE_TYPE	30
3.3.7	EMC_AXIS_SET_MIN_POSITION_LIMIT_TYPE	30
3.3.8	EMC_AXIS_SET_MAX_POSITION_LIMIT_TYPE	30
3.3.9	EMC_AXIS_SET_MIN_OUTPUT_LIMIT_TYPE	30
3.3.10	EMC_AXIS_SET_MAX_OUTPUT_LIMIT_TYPE	30
3.3.11	EMC_AXIS_SET_FERROR_TYPE	31
3.3.12	EMC_AXIS_SET_HOMING_VEL_TYPE	31
3.3.13	EMC_AXIS_SET_HOME_TYPE	31
3.3.14	EMC_AXIS_SET_HOME_OFFSET_TYPE	31
3.3.15	EMC_AXIS_SET_MIN_FERROR_TYPE	31
3.3.16	EMC_AXIS_SET_MAX_VELOCITY_TYPE	32
3.3.17	EMC_AXIS_INIT_TYPE	32
3.3.18	EMC_AXIS_HALT_TYPE	32

3.3.19	EMC_AXIS_ABORT_TYPE	32
3.3.20	EMC_AXIS_ENABLE_TYPE	32
3.3.21	EMC_AXIS_DISABLE_TYPE	33
3.3.22	EMC_AXIS_HOME_TYPE	33
3.3.23	EMC_AXIS_JOG_TYPE	33
3.3.24	EMC_AXIS_INCR_JOG_TYPE	33
3.3.25	EMC_AXIS_ABS_JOG_TYPE	33
3.3.26	EMC_AXIS_ACTIVATE_TYPE	34
3.3.27	EMC_AXIS_DEACTIVATE_TYPE	34
3.3.28	EMC_AXIS_OVERRIDE_LIMITS_TYPE	34
3.3.29	EMC_AXIS_SET_OUTPUT_TYPE	34
3.3.30	EMC_AXIS_LOAD_COMP_TYPE	34
3.3.31	EMC_AXIS_ALTER_TYPE	35
3.3.32	EMC_AXIS_SET_STEP_PARAMS_TYPE	35
3.3.33	EMC_AXIS_STAT_TYPE	35
3.4	EMC TRAJ	35
3.4.1	EMC_TRAJ_SET_AXES_TYPE	35
3.4.2	EMC_TRAJ_SET_UNITS_TYPE	35
3.4.3	EMC_TRAJ_SET_CYCLE_TIME_TYPE	36
3.4.4	EMC_TRAJ_SET_MODE_TYPE	36
3.4.5	EMC_TRAJ_SET_VELOCITY_TYPE	36
3.4.6	EMC_TRAJ_SET_ACCELERATION_TYPE	36
3.4.7	EMC_TRAJ_SET_MAX_VELOCITY_TYPE	36
3.4.8	EMC_TRAJ_SET_MAX_ACCELERATION_TYPE	37
3.4.9	EMC_TRAJ_SET_SCALE_TYPE	37
3.4.10	EMC_TRAJ_SET_MOTION_ID_TYPE	37
3.4.11	EMC_TRAJ_INIT_TYPE	37
3.4.12	EMC_TRAJ_HALT_TYPE	37
3.4.13	EMC_TRAJ_ENABLE_TYPE	38
3.4.14	EMC_TRAJ_DISABLE_TYPE	38
3.4.15	EMC_TRAJ_ABORT_TYPE	38
3.4.16	EMC_TRAJ_PAUSE_TYPE	38
3.4.17	EMC_TRAJ_STEP_TYPE	38
3.4.18	EMC_TRAJ_RESUME_TYPE	39
3.4.19	EMC_TRAJ_DELAY_TYPE	39
3.4.20	EMC_TRAJ_LINEAR_MOVE_TYPE	39
3.4.21	EMC_TRAJ_CIRCULAR_MOVE_TYPE	39
3.4.22	EMC_TRAJ_SET_TERM_COND_TYPE	39
3.4.23	EMC_TRAJ_SET_OFFSET_TYPE	40

3.4.24	EMC_TRAJ_SET_ORIGIN_TYPE	40
3.4.25	EMC_TRAJ_SET_HOME_TYPE	40
3.4.26	EMC_TRAJ_SET_PROBE_INDEX_TYPE	40
3.4.27	EMC_TRAJ_SET_PROBE_POLARITY_TYPE	40
3.4.28	EMC_TRAJ_CLEAR_PROBE_TRIPPED_FLAG_TYPE	41
3.4.29	EMC_TRAJ_PROBE_TYPE	41
3.4.30	EMC_TRAJ_SET_TELEOP_ENABLE_TYPE	41
3.4.31	EMC_TRAJ_SET_TELEOP_VECTOR_TYPE	41
3.4.32	EMC_TRAJ_STAT_TYPE	41
3.5	EMC MOTION	42
3.5.1	EMC_MOTION_INIT_TYPE	42
3.5.2	EMC_MOTION_HALT_TYPE	42
3.5.3	EMC_MOTION_ABORT_TYPE	42
3.5.4	EMC_MOTION_SET_AOUT_TYPE	42
3.5.5	EMC_MOTION_SET_DOUT_TYPE	42
3.5.6	EMC_MOTION_STAT_TYPE	43
3.6	EMC TASK	43
3.6.1	EMC_TASK_INIT_TYPE	43
3.6.2	EMC_TASK_HALT_TYPE	43
3.6.3	EMC_TASK_ABORT_TYPE	43
3.6.4	EMC_TASK_SET_MODE_TYPE	43
3.6.5	EMC_TASK_SET_STATE_TYPE	43
3.6.6	EMC_TASK_PLAN_OPEN_TYPE	44
3.6.7	EMC_TASK_PLAN_RUN_TYPE	44
3.6.8	EMC_TASK_PLAN_READ_TYPE	44
3.6.9	EMC_TASK_PLAN_EXECUTE_TYPE	44
3.6.10	EMC_TASK_PLAN_PAUSE_TYPE	44
3.6.11	EMC_TASK_PLAN_STEP_TYPE	44
3.6.12	EMC_TASK_PLAN_RESUME_TYPE	45
3.6.13	EMC_TASK_PLAN_END_TYPE	45
3.6.14	EMC_TASK_PLAN_CLOSE_TYPE	45
3.6.15	EMC_TASK_PLAN_INIT_TYPE	45
3.6.16	EMC_TASK_PLAN_SYNCH_TYPE	45
3.6.17	EMC_TASK_STAT_TYPE	45
3.7	EMC TOOL	46
3.7.1	EMC_TOOL_INIT_TYPE	46
3.7.2	EMC_TOOL_HALT_TYPE	46
3.7.3	EMC_TOOL_ABORT_TYPE	46
3.7.4	EMC_TOOL_PREPARE_TYPE	46

3.7.5	EMC_TOOL_LOAD_TYPE	47
3.7.6	EMC_TOOL_UNLOAD_TYPE	47
3.7.7	EMC_TOOL_LOAD_TOOL_TABLE_TYPE	47
3.7.8	EMC_TOOL_SET_OFFSET_TYPE	47
3.7.9	EMC_TOOL_STAT_TYPE	47
3.8	EMC AUX	48
3.8.1	EMC_AUX_INIT_TYPE	48
3.8.2	EMC_AUX_HALT_TYPE	48
3.8.3	EMC_AUX_ABORT_TYPE	48
3.8.4	EMC_AUX_DIO_WRITE_TYPE	48
3.8.5	EMC_AUX_AIO_WRITE_TYPE	48
3.8.6	EMC_AUX_ESTOP_ON_TYPE	48
3.8.7	EMC_AUX_ESTOP_OFF_TYPE	49
3.8.8	EMC_AUX_STAT_TYPE	49
3.9	EMC SPINDLE	49
3.9.1	EMC_SPINDLE_INIT_TYPE	49
3.9.2	EMC_SPINDLE_HALT_TYPE	49
3.9.3	EMC_SPINDLE_ABORT_TYPE	49
3.9.4	EMC_SPINDLE_ON_TYPE	49
3.9.5	EMC_SPINDLE_OFF_TYPE	50
3.9.6	EMC_SPINDLE_FORWARD_TYPE	50
3.9.7	EMC_SPINDLE_REVERSE_TYPE	50
3.9.8	EMC_SPINDLE_STOP_TYPE	50
3.9.9	EMC_SPINDLE_INCREASE_TYPE	50
3.9.10	EMC_SPINDLE_DECREASE_TYPE	50
3.9.11	EMC_SPINDLE_CONSTANT_TYPE	51
3.9.12	EMC_SPINDLE_BRAKE_RELEASE_TYPE	51
3.9.13	EMC_SPINDLE_BRAKE_ENGAGE_TYPE	51
3.9.14	EMC_SPINDLE_ENABLE_TYPE	51
3.9.15	EMC_SPINDLE_DISABLE_TYPE	51
3.9.16	EMC_SPINDLE_STAT_TYPE	51
3.10	EMC COOLANT	52
3.10.1	EMC_COOLANT_INIT_TYPE	52
3.10.2	EMC_COOLANT_HALT_TYPE	52
3.10.3	EMC_COOLANT_ABORT_TYPE	52
3.10.4	EMC_COOLANT_MIST_ON_TYPE	52
3.10.5	EMC_COOLANT_MIST_OFF_TYPE	53
3.10.6	EMC_COOLANT_FLOOD_ON_TYPE	53
3.10.7	EMC_COOLANT_FLOOD_OFF_TYPE	53

3.10.8	EMC_COOLANT_STAT_TYPE	53
3.11	EMC LUBE	53
3.11.1	EMC_LUBE_INIT_TYPE	53
3.11.2	EMC_LUBE_HALT_TYPE	54
3.11.3	EMC_LUBE_ABORT_TYPE	54
3.11.4	EMC_LUBE_ON_TYPE	54
3.11.5	EMC_LUBE_OFF_TYPE	54
3.11.6	EMC_LUBE_STAT_TYPE	55
3.12	EMC SET	55
3.12.1	EMC_SET_DIO_INDEX_TYPE	55
3.12.2	EMC_SET_AIO_INDEX_TYPE	55
3.12.3	EMC_SET_POLARITY_TYPE	55
3.13	EMC IO	55
3.13.1	EMC_IO_INIT_TYPE	55
3.13.2	EMC_IO_HALT_TYPE	56
3.13.3	EMC_IO_ABORT_TYPE	56
3.13.4	EMC_IO_SET_CYCLE_TIME_TYPE	56
3.13.5	EMC_IO_STAT_TYPE	56
3.14	EMC INIT, HALT, & ABORT	56
3.14.1	EMC_INIT_TYPE	56
3.14.2	EMC_HALT_TYPE	57
3.14.3	EMC_ABORT_TYPE	57
3.15	EMC LOG	57
3.15.1	EMC_LOG_OPEN_TYPE	57
3.15.2	EMC_LOG_START_TYPE	57
3.15.3	EMC_LOG_STOP_TYPE	57
3.15.4	EMC_LOG_CLOSE_TYPE	58
3.16	EMC STAT	58
3.16.1	EMC_STAT_TYPE	58
4	Coding Style	59
4.1	Do no harm	59
4.2	Tab Stops	59
4.3	Indentation	59
4.4	Placing Braces	59
4.5	Naming	60
4.6	Functions	60
4.7	Commenting	60
4.8	Shell Scripts & Makefiles	61
4.9	C++ Conventions	61
4.10	Python coding standards	62
4.11	Comp coding standards	62

5	Contributing to LinuxCNC	63
5.1	Introduction	63
5.2	Communication among LinuxCNC developers	63
5.3	The LinuxCNC Source Forge project	63
5.4	The git Revision Control System	63
5.4.1	LinuxCNC official git repo	63
5.4.2	LinuxCNC on github	64
5.4.3	Use of git in the LinuxCNC project	64
5.4.4	git tutorials	64
5.5	Overview of the process	64
5.6	Signed-off-by policy	65
5.7	git configuration	65
5.8	Effective use of git	65
5.8.1	Commit contents	65
5.8.2	Write good commit messages	65
5.8.3	Commit to the proper branch	66
5.8.4	Use multiple commits to organize changes	66
5.8.5	Follow the style of the surrounding code	66
5.8.6	Simplify complicated history before sharing with fellow developers	66
5.8.7	Make sure every commit builds	66
5.8.8	Renaming files	67
5.8.9	Prefer "rebase"	67
5.9	Other ways to contribute	67
6	Glossary	68
7	Legal Section	73
7.1	Copyright Terms	73
7.2	GNU Free Documentation License	73
8	Index	77

Chapter 1

Introduction



This handbook is a work in progress. If you are able to help with writing, editing, or graphic preparation please contact any member of the writing team or join and send an email to emc-users@lists.sourceforge.net.

Copyright © 2000-2015 LinuxCNC.org

Permission is granted to copy, distribute and/or modify this document under the terms of the GNU Free Documentation License, Version 1.1 or any later version published by the Free Software Foundation; with no Invariant Sections, no Front-Cover Texts, and no Back-Cover Texts. A copy of the license is included in the section entitled "GNU Free Documentation License".

LINUX® is the registered trademark of Linus Torvalds in the U.S. and other countries. The registered trademark Linux® is used pursuant to a sublicense from LMI, the exclusive licensee of Linus Torvalds, owner of the mark on a world-wide basis.

The LinuxCNC project is not affiliated with Debian®. *Debian* is a registered trademark owned by Software in the Public Interest, Inc.

The LinuxCNC project is not affiliated with UBUNTU®. *UBUNTU* is a registered trademark owned by Canonical Limited.

Chapter 2

Code Notes

2.1 Intended audience

This document is a collection of notes about the internals of LinuxCNC. It is primarily of interest to developers, however much of the information here may also be of interest to system integrators and others who are simply curious about how LinuxCNC works. Much of this information is now outdated and has never been reviewed for accuracy.

2.2 Organization

There will be a chapter for each of the major components of LinuxCNC, as well as chapter(s) covering how they work together. This document is very much a work in progress, and its layout may change in the future.

2.3 Terms and definitions

- **AXIS** - An axis is one of the nine degrees of freedom that define a tool position in three-dimensional Cartesian space. Those nine axes are referred to as X, Y, Z, A, B, C, U, V, and W. The linear orthogonal coordinates X, Y, and Z determine where the tip of the tool is positioned. The angular coordinates A, B, and C determine the tool orientation. A second set of linear orthogonal coordinates U, V, and W allows tool motion (typically for cutting actions) relative to the previously offset and rotated axes. Unfortunately “axis” is also sometimes used to mean a degree of freedom of the machine itself, such as the saddle, table, or quill of a Bridgeport type milling machine. On a Bridgeport this causes no confusion, since movement of the table directly corresponds to movement along the X axis. However, the shoulder and elbow joints of a robot arm and the linear actuators of a hexapod do not correspond to movement along any Cartesian axis, and in general it is important to make the distinction between the Cartesian axes and the machine degrees of freedom. In this document, the latter will be called *joints*, not axes. (The GUIs and some other parts of the code may not always follow this distinction, but the internals of the motion controller do.)
 - **JOINT** - A joint is one of the movable parts of the machine. Joints are distinct from axes, although the two terms are sometimes (mis)used to mean the same thing. In LinuxCNC, a joint is a physical thing that can be moved, not a coordinate in space. For example, the quill, knee, saddle, and table of a Bridgeport mill are all joints. The shoulder, elbow, and wrist of a robot arm are joints, as are the linear actuators of a hexapod. Every joint has a motor or actuator of some type associated with it. Joints do not necessarily correspond to the X, Y, and Z axes, although for machines with trivial kinematics that may be the case. Even on those machines, joint position and axis position are fundamentally different things. In this document, the terms *joint* and *axis* are used carefully to respect their distinct meanings. Unfortunately that isn’t necessarily true everywhere else. In particular, GUIs for machines with trivial kinematics may gloss over or completely hide the distinction between joints and axes. In addition, the ini file uses the term *axis* for data that would more accurately be described as joint data, such as input and output scaling, etc.
 - **POSE** - A pose is a fully specified position in 3-D Cartesian space. In the LinuxCNC motion controller, when we refer to a pose we mean an EmcPose structure, containing three linear coordinates and three angular ones.
-

2.4 Architecture overview

There are four components contained in the LinuxCNC Architecture: a motion controller (EMCMOT), a discrete IO controller (EMCIO), a task executor which coordinates them (EMCTASK) and several text-mode and graphical User Interfaces. Each of them will be described in the current document, both from the design point of view and from the developers point of view (where to find needed data, how to easily extend/modify things, etc.).



LinuxCNC software architecture. At the coarsest level, LinuxCNC is a hierarchy of three controllers: the task level command handler and program interpreter, the motion controller, and the discrete I/O controller. The discrete I/O controller is implemented as a hierarchy of controllers, in this case for spindle, coolant, and auxiliary (e.g., estop, lube) subsystems. The task controller coordinates the actions of the motion and discrete I/O controllers. Their actions are programmed in conventional numerical control "G and M code" programs, which are interpreted by the task controller into NML messages and sent to either the motion or discrete I/O controllers at the appropriate times.

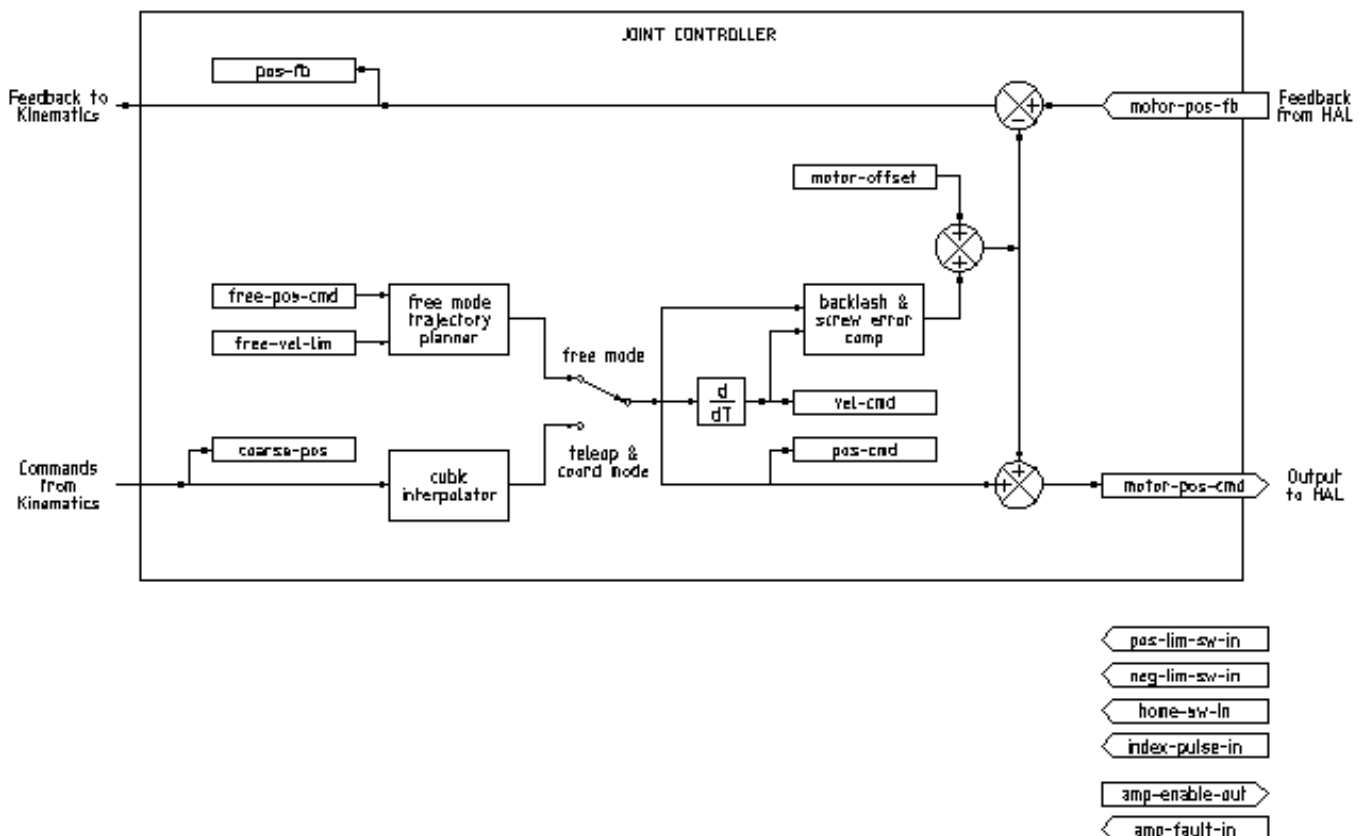
2.5 Motion Controller Introduction

The motion controller receives commands from user space modules via a shared memory buffer, and executes those commands in realtime. The status of the controller is made available to the user space modules through the same shared memory area. The motion controller interacts with the motors and other hardware using the HAL (Hardware Abstraction Layer). This document assumes that the reader has a basic understanding of the HAL, and uses terms like HAL pins, HAL signals, etc, without explaining them. For more information about the HAL, see the HAL Manual. Another chapter of this document will eventually go into the internals of the HAL itself, but in this chapter, we only use the HAL API as defined in `src/hal/hal.h`.



2.6 Block diagrams and Data Flow

The following figure is a block diagram of a joint controller. There is one joint controller per joint. The joint controllers work at a lower level than the kinematics, a level where all joints are completely independent. All the data for a joint is in a single joint structure. Some members of that structure are visible in the block diagram, such as `coarse_pos`, `pos_cmd`, and `motor_pos_fb`.



Joint Controller Block Diagram The above figure shows five of the seven sets of position information that form the main data flow through the motion controller. The seven forms of position data are as follows:

1. `emcmotStatus->carte_pos_cmd` - This is the desired position, in Cartesian coordinates. It is updated at the traj rate, not the servo rate. In coord mode, it is determined by the traj planner. In teleop mode, it is determined by the traj planner? In free mode, it is either copied from actualPos, or generated by applying forward kins to (2) or (3).
2. `emcmotStatus->joints[n].coarse_pos` - This is the desired position, in joint coordinates, but before interpolation. It is updated at the traj rate, not the servo rate. In coord mode, it is generated by applying inverse kins to (1) In teleop mode, it is generated by applying inverse kins to (1) In free mode, it is copied from (3), I think.
3. `emcmotStatus->joints[n].pos_cmd` - This is the desired position, in joint coords, after interpolation. A new set of these coords is generated every servo period. In coord mode, it is generated from (2) by the interpolator. In teleop mode, it is generated from (2) by the interpolator. In free mode, it is generated by the free mode traj planner.
4. `emcmotStatus->joints[n].motor_pos_cmd` - This is the desired position, in motor coords. Motor coords are generated by adding backlash compensation, lead screw error compensation, and offset (for homing) to (3). It is generated the same way regardless of the mode, and is the output to the PID loop or other position loop.

5. *emcmotStatus->joints[n].motor_pos_fb* - This is the actual position, in motor coords. It is the input from encoders or other feedback device (or from virtual encoders on open loop machines). It is "generated" by reading the feedback device.
6. *emcmotStatus->joints[n].pos_fb* - This is the actual position, in joint coordinates. It is generated by subtracting offset, lead screw error compensation, and backlash compensation from (5). It is generated the same way regardless of the operating mode.
7. *emcmotStatus->carte_pos_fb* - This is the actual position, in Cartesian coordinates. It is updated at the traj rate, not the servo rate. Ideally, actualPos would always be calculated by applying forward kinematics to (6). However, forward kinematics may not be available, or they may be unusable because one or more axes aren't homed. In that case, the options are: A) fake it by copying (1), or B) admit that we don't really know the Cartesian coordinates, and simply don't update actualPos. Whatever approach is used, I can see no reason not to do it the same way regardless of the operating mode. I would propose the following: If there are forward kins, use them, unless they don't work because of unhomed axes or other problems, in which case do (B). If no forward kins, do (A), since otherwise actualPos would *never* get updated.

2.7 Commands

This section simply lists all of the commands that can be sent to the motion module, along with detailed explanations of what they do. The command names are defined in a large typedef enum in `emc2/src/emc/motion/motion.h`, called `cmd_code_t`. (Note that in the code, each command name starts with `EMCMOT_`, which is omitted here.)

The commands are implemented by a large switch statement in the function `emcmotCommandHandler()`, which is called at the servo rate. More on that function later.

There are approximately 44 commands - this list is still under construction.

2.7.1 ABORT

The ABORT command simply stops all motion. It can be issued at any time, and will always be accepted. It does not disable the motion controller or change any state information, it simply cancels any motion that is currently in progress.¹

2.7.1.1 Requirements

None. The command is always accepted and acted on immediately.

2.7.1.2 Results

In free mode, the free mode trajectory planners are disabled. That results in each joint stopping as fast as its accel (decel) limit allows. The stop is not coordinated. In teleop mode, the commanded Cartesian velocity is set to zero. I don't know exactly what kind of stop results (coordinated, uncoordinated, etc), but will figure it out eventually. In coord mode, the coord mode trajectory planner is told to abort the current move. Again, I don't know the exact result of this, but will document it when I figure it out.

2.7.2 FREE

The FREE command puts the motion controller in free mode. Free mode means that each joint is independent of all the other joints. Cartesian coordinates, poses, and kinematics are ignored when in free mode. In essence, each joint has its own simple trajectory planner, and each joint completely ignores the other joints. Some commands (like JOG) only work in free mode. Other commands, including anything that deals with Cartesian coordinates, do not work at all in free mode.

¹ It seems that the higher level code (TASK and above) also use ABORT to clear faults. Whenever there is a persistent fault (such as being outside the hardware limit switches), the higher level code sends a constant stream of ABORTs to the motion controller trying to make the fault go away. Thousands of 'em.... That means that the motion controller should avoid persistent faults. This needs to be looked into.

2.7.2.1 Requirements

The command handler applies no requirements to the FREE command, it will always be accepted. However, if any joint is in motion (`GET_MOTION_INPOS_FLAG() == FALSE`), then the command will be ignored. This behavior is controlled by code that is now located in the function `set_operating_mode()` in `control.c`, that code needs to be cleaned up. I believe the command should not be silently ignored, instead the command handler should determine whether it can be executed and return an error if it cannot.

2.7.2.2 Results

If the machine is already in free mode, nothing. Otherwise, the machine is placed in free mode. Each joint's free mode trajectory planner is initialized to the current location of the joint, but the planners are not enabled and the joints are stationary.

2.7.3 TELEOP

The TELEOP command places the machine in teleoperating mode. In teleop mode, movement of the machine is based on Cartesian coordinates using kinematics, rather than on individual joints as in free mode. However the trajectory planner per se is not used, instead movement is controlled by a velocity vector. Movement in teleop mode is much like jogging, except that it is done in Cartesian space instead of joint space. On a machine with trivial kinematics, there is little difference between teleop mode and free mode, and GUIs for those machines might never even issue this command. However for non-trivial machines like robots and hexapods, teleop mode is used for most user commanded jog type movements.

2.7.3.1 Requirements

The command handler will reject the TELEOP command with an error message if the kinematics cannot be activated because the one or more axes have not been homed. In addition, if any joint is in motion (`GET_MOTION_INPOS_FLAG() == FALSE`), then the command will be ignored (with no error message). This behavior is controlled by code that is now located in the function `set_operating_mode()` in `control.c`. I believe the command should not be silently ignored, instead the command handler should determine whether it can be executed and return an error if it cannot.

2.7.3.2 Results

If the machine is already in teleop mode, nothing. Otherwise the machine is placed in teleop mode. The kinematics code is activated, interpolators are drained and flushed, and the Cartesian velocity commands are set to zero.

2.7.4 COORD

The COORD command places the machine in coordinated mode. In coord mode, movement of the machine is based on Cartesian coordinates using kinematics, rather than on individual joints as in free mode. In addition, the main trajectory planner is used to generate motion, based on queued LINE, CIRCLE, and/or PROBE commands. Coord mode is the mode that is used when executing a G-code program.

2.7.4.1 Requirements

The command handler will reject the COORD command with an error message if the kinematics cannot be activated because the one or more axes have not been homed. In addition, if any joint is in motion (`GET_MOTION_INPOS_FLAG() == FALSE`), then the command will be ignored (with no error message). This behavior is controlled by code that is now located in the function `set_operating_mode()` in `control.c`. I believe the command should not be silently ignored, instead the command handler should determine whether it can be executed and return an error if it cannot.

2.7.4.2 Results

If the machine is already in coord mode, nothing. Otherwise, the machine is placed in coord mode. The kinematics code is activated, interpolators are drained and flushed, and the trajectory planner queues are empty. The trajectory planner is active and awaiting a LINE, CIRCLE, or PROBE command.

2.7.5 ENABLE

The ENABLE command enables the motion controller.

2.7.5.1 Requirements

None. The command can be issued at any time, and will always be accepted.

2.7.5.2 Results

If the controller is already enabled, nothing. If not, the controller is enabled. Queues and interpolators are flushed. Any movement or homing operations are terminated. The amp-enable outputs associated with active joints are turned on. If forward kinematics are not available, the machine is switched to free mode.

2.7.6 DISABLE

The DISABLE command disables the motion controller.

2.7.6.1 Requirements

None. The command can be issued at any time, and will always be accepted.

2.7.6.2 Results

If the controller is already disabled, nothing. If not, the controller is disabled. Queues and interpolators are flushed. Any movement or homing operations are terminated. The amp-enable outputs associated with active joints are turned off. If forward kinematics are not available, the machine is switched to free mode.

2.7.7 ENABLE_AMPLIFIER

The ENABLE_AMPLIFIER command turns on the amp enable output for a single output amplifier, without changing anything else. Can be used to enable a spindle speed controller.

2.7.7.1 Requirements

None. The command can be issued at any time, and will always be accepted.

2.7.7.2 Results

Currently, nothing. (A call to the old extAmpEnable function is currently commented out.) Eventually it will set the amp enable HAL pin true.

2.7.8 DISABLE_AMPLIFIER

The `DISABLE_AMPLIFIER` command turns off the amp enable output for a single amplifier, without changing anything else. Again, useful for spindle speed controllers.

2.7.8.1 Requirements

None. The command can be issued at any time, and will always be accepted.

2.7.8.2 Results

Currently, nothing. (A call to the old `extAmpEnable` function is currently commented out.) Eventually it will set the amp enable HAL pin false.

2.7.9 ACTIVATE_JOINT

The `ACTIVATE_JOINT` command turns on all the calculations associated with a single joint, but does not change the joint's amp enable output pin.

2.7.9.1 Requirements

None. The command can be issued at any time, and will always be accepted.

2.7.9.2 Results

Calculations for the specified joint are enabled. The amp enable pin is not changed, however, any subsequent `ENABLE` or `DISABLE` commands will modify the joint's amp enable pin.

2.7.10 DEACTIVATE_JOINT

The `DEACTIVATE_JOINT` command turns off all the calculations associated with a single joint, but does not change the joint's amp enable output pin.

2.7.10.1 Requirements

None. The command can be issued at any time, and will always be accepted.

2.7.10.2 Results

Calculations for the specified joint are disabled. The amp enable pin is not changed, and subsequent `ENABLE` or `DISABLE` commands will not modify the joint's amp enable pin.

2.7.11 ENABLE_WATCHDOG

The `ENABLE_WATCHDOG` command enables a hardware based watchdog (if present).

2.7.11.1 Requirements

None. The command can be issued at any time, and will always be accepted.

2.7.11.2 Results

Currently nothing. The old watchdog was a strange thing that used a specific sound card. A new watchdog interface may be designed in the future.

2.7.12 DISABLE_WATCHDOG

The DISABLE_WATCHDOG command disables a hardware based watchdog (if present).

2.7.12.1 Requirements

None. The command can be issued at any time, and will always be accepted.

2.7.12.2 Results

Currently nothing. The old watchdog was a strange thing that used a specific sound card. A new watchdog interface may be designed in the future.

2.7.13 PAUSE

The PAUSE command stops the trajectory planner. It has no effect in free or teleop mode. At this point I don't know if it pauses all motion immediately, or if it completes the current move and then pauses before pulling another move from the queue.

2.7.13.1 Requirements

None. The command can be issued at any time, and will always be accepted.

2.7.13.2 Results

The trajectory planner pauses.

2.7.14 RESUME

The RESUME command restarts the trajectory planner if it is paused. It has no effect in free or teleop mode, or if the planner is not paused.

2.7.14.1 Requirements

None. The command can be issued at any time, and will always be accepted.

2.7.14.2 Results

The trajectory planner resumes.

2.7.15 STEP

The STEP command restarts the trajectory planner if it is paused, and tells the planner to stop again when it reaches a specific point. It has no effect in free or teleop mode. At this point I don't know exactly how this works. I'll add more documentation here when I dig deeper into the trajectory planner.

2.7.15.1 Requirements

None. The command can be issued at any time, and will always be accepted.

2.7.15.2 Results

The trajectory planner resumes, and later pauses when it reaches a specific point.

2.7.16 SCALE

The SCALE command scales all velocity limits and commands by a specified amount. It is used to implement feed rate override and other similar functions. The scaling works in free, teleop, and coord modes, and affects everything, including homing velocities, etc. However, individual joint velocity limits are unaffected.

2.7.16.1 Requirements

None. The command can be issued at any time, and will always be accepted.

2.7.16.2 Results

All velocity commands are scaled by the specified constant.

2.7.17 OVERRIDE_LIMITS

The OVERRIDE_LIMITS command prevents limits from tripping until the end of the next JOG command. It is normally used to allow a machine to be jogged off of a limit switch after tripping. (The command can actually be used to override limits, or to cancel a previous override.)

2.7.17.1 Requirements

None. The command can be issued at any time, and will always be accepted. (I think it should only work in free mode.)

2.7.17.2 Results

Limits on all joints are over-ridden until the end of the next JOG command. (This is currently broken... once an OVERRIDE_LIMITS command is received, limits are ignored until another OVERRIDE_LIMITS command re-enables them.)

2.7.18 HOME

The HOME command initiates a homing sequence on a specified joint. The actual homing sequence is determined by a number of configuration parameters, and can range from simply setting the current position to zero, to a multi-stage search for a home switch and index pulse, followed by a move to an arbitrary home location. For more information about the homing sequence, see the homing section of the Integrator Manual.

2.7.18.1 Requirements

The command will be ignored silently unless the machine is in free mode.

2.7.18.2 Results

Any jog or other joint motion is aborted, and the homing sequence starts.

2.7.19 JOG_CONT

The JOG_CONT command initiates a continuous jog on a single joint. A continuous jog is generated by setting the free mode trajectory planner's target position to a point beyond the end of the joint's range of travel. This ensures that the planner will move constantly until it is stopped by either the joint limits or an ABORT command. Normally, a GUI sends a JOG_CONT command when the user presses a jog button, and ABORT when the button is released.

2.7.19.1 Requirements

The command handler will reject the JOG_CONT command with an error message if machine is not in free mode, or if any joint is in motion (`GET_MOTION_INPOS_FLAG() == FALSE`), or if motion is not enabled. It will also silently ignore the command if the joint is already at or beyond its limit and the commanded jog would make it worse.

2.7.19.2 Results

The free mode trajectory planner for the joint identified by `emcmotCommand->axis` is activated, with a target position beyond the end of joint travel, and a velocity limit of `emcmotCommand->vel`. This starts the joint moving, and the move will continue until stopped by an ABORT command or by hitting a limit. The free mode planner accelerates at the joint accel limit at the beginning of the move, and will decelerate at the joint accel limit when it stops.

2.7.20 JOG_INCR

The JOG_INCR command initiates an incremental jog on a single joint. Incremental jogs are cumulative, in other words, issuing two JOG_INCR commands that each ask for 0.100 inches of movement will result in 0.200 inches of travel, even if the second command is issued before the first one finishes. Normally incremental jogs stop when they have traveled the desired distance, however they also stop when they hit a limit, or on an ABORT command.

2.7.20.1 Requirements

The command handler will silently reject the JOG_INCR command if machine is not in free mode, or if any joint is in motion (`GET_MOTION_INPOS_FLAG() == FALSE`), or if motion is not enabled. It will also silently ignore the command if the joint is already at or beyond its limit and the commanded jog would make it worse.

2.7.20.2 Results

The free mode trajectory planner for the joint identified by `emcmotCommand->axis` is activated, the target position is incremented/decremented by `emcmotCommand->offset`, and the velocity limit is set to `emcmotCommand->vel`. The free mode trajectory planner will generate a smooth trapezoidal move from the present position to the target position. The planner can correctly handle changes in the target position that happen while the move is in progress, so multiple JOG_INCR commands can be issued in quick succession. The free mode planner accelerates at the joint accel limit at the beginning of the move, and will decelerate at the joint accel limit to stop at the target position.

2.7.21 JOG_ABS

The JOG_ABS command initiates an absolute jog on a single joint. An absolute jog is a simple move to a specific location, in joint coordinates. Normally absolute jogs stop when they reach the desired location, however they also stop when they hit a limit, or on an ABORT command.

2.7.21.1 Requirements

The command handler will silently reject the JOG_ABS command if machine is not in free mode, or if any joint is in motion (`GET_MOTION_INPOS_FLAG() == FALSE`), or if motion is not enabled. It will also silently ignore the command if the joint is already at or beyond its limit and the commanded jog would make it worse.

2.7.21.2 Results

The free mode trajectory planner for the joint identified by `emcmotCommand->axis` is activated, the target position is set to `emcmotCommand->offset`, and the velocity limit is set to `emcmotCommand->vel`. The free mode trajectory planner will generate a smooth trapezoidal move from the present position to the target position. The planner can correctly handle changes in the target position that happen while the move is in progress. If multiple `JOG_ABS` commands are issued in quick succession, each new command changes the target position and the machine goes to the final commanded position. The free mode planner accelerates at the joint accel limit at the beginning of the move, and will decelerate at the joint accel limit to stop at the target position.

2.7.22 SET_LINE

The `SET_LINE` command adds a straight line to the trajectory planner queue.

(More later)

2.7.23 SET_CIRCLE

The `SET_CIRCLE` command adds a circular move to the trajectory planner queue.

(More later)

2.7.24 SET_TELEOP_VECTOR

The `SET_TELEOP_VECTOR` command instructs the motion controller to move along a specific vector in Cartesian space.

(More later)

2.7.25 PROBE

The `PROBE` command instructs the motion controller to move toward a specific point in Cartesian space, stopping and recording its position if the probe input is triggered.

(More later)

2.7.26 CLEAR_PROBE_FLAG

The `CLEAR_PROBE_FLAG` command is used to reset the probe input in preparation for a `PROBE` command. (Question: why shouldn't the `PROBE` command automatically reset the input?)

(More later)

2.7.27 SET_xix

There are approximately 15 `SET_xxx` commands, where `xxx` is the name of some configuration parameter. It is anticipated that there will be several more `SET` commands as more parameters are added. I would like to find a cleaner way of setting and reading configuration parameters. The existing methods require many lines of code to be added to multiple files each time a parameter is added. Much of that code is identical or nearly identical for every parameter.

2.8 Backlash and Screw Error Compensation

+

2.9 Task controller (EMCTASK)

+

2.10 IO controller (EMCIO)

+

2.11 User Interfaces

+

2.12 libnml Introduction

libnml is derived from the NIST rcslib without all the multi-platform support. Many of the wrappers around platform specific code has been removed along with much of the code that is not required by LinuxCNC. It is hoped that sufficient compatibility remains with rcslib so that applications can be implemented on non-Linux platforms and still be able to communicate with LinuxCNC.

This chapter is not intended to be a definitive guide to using libnml (or rcslib), instead, it will eventually provide an overview of each C++ class and their member functions. Initially, most of these notes will be random comments added as the code scrutinized and modified.

2.13 LinkedList

Base class to maintain a linked list. This is one of the core building blocks used in passing NML messages and assorted internal data structures.

2.14 LinkedListNode

Base class for producing a linked list - Purpose, to hold pointers to the previous and next nodes, pointer to the data, and the size of the data.

No memory for data storage is allocated.

2.15 SharedMemory

Provides a block of shared memory along with a semaphore (inherited from the Semaphore class). Creation and destruction of the semaphore is handled by the SharedMemory constructor and destructor.

2.16 ShmBuffer

Class for passing NML messages between local processes using a shared memory buffer. Much of internal workings are inherited from the CMS class.

2.17 Timer

The Timer class provides a periodic timer limited only by the resolution of the system clock. If, for example, a process needs to be run every 5 seconds regardless of the time taken to run the process, the following code snippet demonstrates how :

```
main()
{
    timer = new Timer(5.0);    /* Initialize a timer with a 5 second loop */
    while(0) {
        /* Do some process */
        timer.wait();        /* Wait till the next 5 second interval */
    }
    delete timer;
}
```

2.18 Semaphore

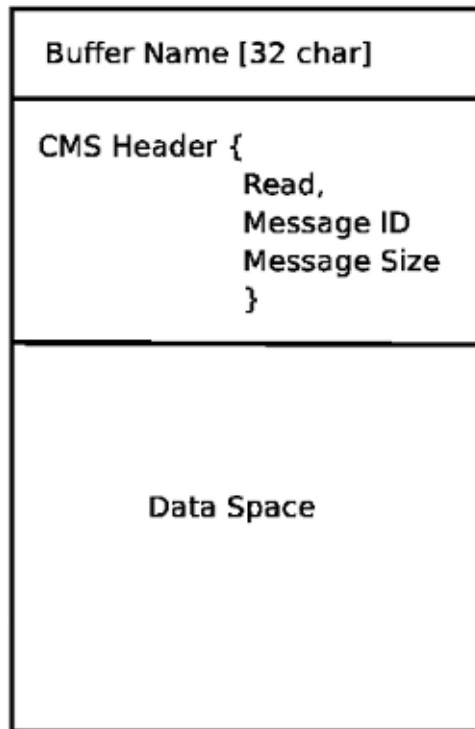
The Semaphore class provides a method of mutual exclusions for accessing a shared resource. The function to get a semaphore can either block until access is available, return after a timeout, or return immediately with or without gaining the semaphore. The constructor will create a semaphore or attach to an existing one if the ID is already in use.

The Semaphore::destroy() must be called by the last process only.

2.19 CMS

At the heart of libnml is the CMS class, it contains most of the functions used by libnml and ultimately NML. Many of the internal functions are overloaded to allow for specific hardware dependent methods of data passing. Ultimately, everything revolves around a central block of memory (referred to as the *message buffer* or just *buffer*). This buffer may exist as a shared memory block accessed by other CMS/NML processes, or a local and private buffer for data being transferred by network or serial interfaces.

The buffer is dynamically allocated at run time to allow for greater flexibility of the CMS/NML sub-system. The buffer size must be large enough to accommodate the largest message, a small amount for internal use and allow for the message to be encoded if this option is chosen (encoded data will be covered later). The following figure is an internal view of the buffer space.



CMS buffer The CMS base class is primarily responsible for creating the communications pathways and interfacing to the O.S.

2.20 Configuration file format

NML configuration consists of two types of line formats. One for Buffers, and a second for Processes that connect to the buffers.

2.20.1 Buffer line

The original NIST format of the buffer line is:

- *B name type host size neut RPC# buffer# max_procs key [type specific configs]*
- *B* - identifies this line as a Buffer configuration.
- *name* - is the identifier of the buffer.
- *type* - describes the buffer type - SHMEM, LOCMEM, FILEMEM, PHANTOM, or GLOBMEM.
- *host* - is either an IP address or host name for the NML server
- *size* - is the size of the buffer
- *neut* - a boolean to indicate if the data in the buffer is encoded in a machine independent format, or raw.
- *RPC#* - Obsolete - Place holder retained for backward compatibility only.
- *buffer#* - A unique ID number used if a server controls multiple buffers.
- *max_procs* - is the maximum processes allowed to connect to this buffer.
- *key* - is a numerical identifier for a shared memory buffer

2.20.2 Type specific configs

The buffer type implies additional configuration options whilst the host operating system precludes certain combinations. In an attempt to distill published documentation in to a coherent format, only the **SHMEM** buffer type will be covered.

- *mutex=os_sem* - default mode for providing semaphore locking of the buffer memory.
- *mutex=none* - Not used
- *mutex=no_interrupts* - not applicable on a Linux system
- *mutex=no_switching* - not applicable on a Linux system
- *mutex=mao_split* - Splits the buffer in to half (or more) and allows one process to access part of the buffer whilst a second process is writing to another part.
- *TCP=(port number)* - Specifies which network port to use.
- *UDP=(port number)* - ditto
- *STCP=(port number)* - ditto
- *serialPortDevName=(serial port)* - Undocumented.
- *passwd=file_name.pwd* - Adds a layer of security to the buffer by requiring each process to provide a password.
- *bsem* - NIST documentation implies a key for a blocking semaphore, and if *bsem=-1*, blocking reads are prevented.
- *queue* - Enables queued message passing.
- *ascii* - Encode messages in a plain text format
- *disp* - Encode messages in a format suitable for display (???)
- *xdr* - Encode messages in External Data Representation. (see *rpc/xdr.h* for details).
- *diag* - Enables diagnostics stored in the buffer (timings and byte counts ?)

2.20.3 Process line

The original NIST format of the process line is:

P name buffer type host ops server timeout master c_num [type specific configs]

- *P* - identifies this line as a Process configuration.
- *name* - is the identifier of the process.
- *buffer* - is one of the buffers defined elsewhere in the config file.
- *type* - defines whether this process is local or remote relative to the buffer.
- *host* - specifies where on the network this process is running.
- *ops* - gives the process read only, write only, or read/write access to the buffer.
- *server* - specifies if this process will running a server for this buffer.
- *timeout* - sets the timeout characteristics for accesses to the buffer.
- *master* - indicates if this process is responsible for creating and destroying the buffer.
- *c_num* - an integer between zero and (*max_procs* -1)

2.20.4 Configuration Comments

Some of the configuration combinations are invalid, whilst others imply certain constraints. On a Linux system, GLOBMEM is obsolete, whilst PHANTOM is only really useful in the testing stage of an application, likewise for FILEMEM. LOCMEM is of little use for a multi-process application, and only offers limited performance advantages over SHMEM. This leaves SHMEM as the only buffer type to use with LinuxCNC.

The neut option is only of use in a multi-processor system where different (and incompatible) architectures are sharing a block of memory. The likelihood of seeing a system of this type outside of a museum or research establishment is remote and is only relevant to GLOBMEM buffers.

The RPC number is documented as being obsolete and is retained only for compatibility reasons.

With a unique buffer name, having a numerical identity seems to be pointless. Need to review the code to identify the logic. Likewise, the key field at first appears to be redundant, and it could be derived from the buffer name.

The purpose of limiting the number of processes allowed to connect to any one buffer is unclear from existing documentation and from the original source code. Allowing unspecified multiple processes to connect to a buffer is no more difficult to implement.

The mutex types boil down to one of two, the default “os_sem” or “mao split”. Most of the NML messages are relatively short and can be copied to or from the buffer with minimal delays, so split reads are not essential.

Data encoding is only relevant when transmitted to a remote process - Using TCP or UDP implies XDR encoding. Whilst ASCII encoding may have some use in diagnostics or for passing data to an embedded system that does not implement NML.

UDP protocols have fewer checks on data and allows a percentage of packets to be dropped. TCP is more reliable, but is marginally slower.

If LinuxCNC is to be connected to a network, one would hope that it is local and behind a firewall. About the only reason to allow access to LinuxCNC via the Internet would be for remote diagnostics - This can be achieved far more securely using other means, perhaps by a web interface.

The exact behavior when timeout is set to zero or a negative value is unclear from the NIST documents. Only INF and positive values are mentioned. However, buried in the source code of rcslib, it is apparent that the following applies:

timeout > 0 Blocking access until the timeout interval is reached or access to the buffer is available.

timeout = 0 Access to the buffer is only possible if no other process is reading or writing at the time.

timeout < 0 or INF Access is blocked until the buffer is available.

2.21 NML base class

Expand on the lists and the relationship between NML, NMLmsg, and the lower level cms classes.

Not to be confused with NMLmsg, RCS_STAT_MSG, or RCS_CMD_MSG.

NML is responsible for parsing the config file, configuring the cms buffers and is the mechanism for routing messages to the correct buffer(s). To do this, NML creates several lists for:

- cms buffers created or connected to.
- processes and the buffers they connect to
- a long list of format functions for each message type

This last item is probably the nub of much of the malignment of libnml/rcslib and NML in general. Each message that is passed via NML requires a certain amount of information to be attached in addition to the actual data. To do this, several formatting functions are called in sequence to assemble fragments of the overall message. The format functions will include NML_TYPE, MSG_TYPE, in addition to the data declared in derived NMLmsg classes. Changes to the order in which the formatting functions are called and also the variables passed will break compatibility with rcslib if messed with - There are reasons for maintaining rcslib compatibility, and good reasons for messing with the code. The question is, which set of reasons are overriding?

2.21.1 NML internals

2.21.1.1 NML constructor

NML::NML() parses the config file and stores it in a linked list to be passed to cms constructors in single lines. It is the function of the NML constructor to call the relevant cms constructor for each buffer and maintain a list of the cms objects and the processes associated with each buffer.

It is from the pointers stored in the lists that NML can interact with cms and why Doxygen fails to show the real relationships involved.

Note

The config is stored in memory before passing a pointer to a specific line to the cms constructor. The cms constructor then parses the line again to extract a couple of variables. . . It would make more sense to do ALL the parsing and save the variables in a struct that is passed to the cms constructor - This would eliminate string handling and reduce duplicate code in cms. . . .

2.21.1.2 NML read/write

Calls to NML::read and NML::write both perform similar tasks in so much as processing the message - The only real variation is in the direction of data flow.

A call to the read function first gets data from the buffer, then calls format_output(), whilst a write function would call format_input() before passing the data to the buffer. It is in format_xxx() that the work of constructing or deconstructing the message takes place. A list of assorted functions are called in turn to place various parts of the NML header (not to be confused with the cms header) in the right order - The last function called is emcFormat() in emc.cc.

2.21.1.3 NMLmsg and NML relationships

NMLmsg is the base class from which all message classes are derived. Each message class must have a unique ID defined (and passed to the constructor) and also an update(*cms) function. The update() will be called by the NML read/write functions when the NML formatter is called - The pointer to the formatter will have been declared in the NML constructor at some point. By virtue of the linked lists NML creates, it is able to select cms pointer that is passed to the formatter and therefor which buffer is to be used.

2.22 Adding custom NML commands

LinuxCNC is pretty awesome, but some parts need some tweaking. As you know communication is done through NML channels, the data sent through such a channel is one of the classes defined in emc.hh (implemented in emc.cc). If somebody needs a message type that doesn't exist, he should follow these steps to add a new one. (The Message I added in the example is called EMC_IO_GENERIC (inherits EMC_IO_CMD_MSG (inherits RCS_CMD_MSG)))

1. add the definition of the EMC_IO_GENERIC class to emc2/src/emc/nml_intf/emc.hh
2. add the type define: #define EMC_IO_GENERIC_TYPE ((NMLTYPE) 1605)
 - a. (I chose 1605, because it was available) to emc2/src/emc/nml_intf/emc.hh
3. add case EMC_IO_GENERIC_TYPE to emcFormat in emc2/src/emc/nml_intf/emc.cc
4. add case EMC_IO_GENERIC_TYPE to emc_symbol_lookup in emc2/src/emc/nml_intf/emc.cc
5. add EMC_IO_GENERIC::update function to emc2/src/emc/nml_intf/emc.cc

Recompile, and the new message should be there. The next part is to send such messages from somewhere, and receive them in another place, and do some stuff with it.

2.23 The Tool Table and Toolchanger

LinuxCNC interfaces with toolchanger hardware, and has an internal toolchanger abstraction. LinuxCNC manages tool information in a tool table file.

2.23.1 Toolchanger abstraction in LinuxCNC

LinuxCNC supports two kinds of toolchanger hardware, called *nonrandom* and *random*. The ini setting [\[EMCIO\]RANDOM_TOOLCHA](#) controls which of these kinds of hardware LinuxCNC thinks it's connected to.

2.23.1.1 Nonrandom Toolchangers

Nonrandom toolchanger hardware puts each tool back in the pocket it was originally loaded from.

Examples of nonrandom toolchanger hardware are the "manual" toolchanger, lathe tool turrets, and rack toolchangers.

When configured for a nonrandom toolchanger, LinuxCNC does not change the pocket number in the tool table file as tools are loaded and unloaded. Internal to LinuxCNC, on tool change the tool information is **copied** from the tool table's source pocket to pocket 0 (which represents the spindle), replacing whatever tool information was previously there.

Note

In LinuxCNC configured for nonrandom toolchanger, tool 0 (T0) has special meaning: "no tool". T0 may not appear in the tool table file, and changing to T0 will result in LinuxCNC thinking it's got an empty spindle.

2.23.1.2 Random Toolchangers

Random toolchanger hardware swaps the tool in the spindle (if any) with the requested tool on tool change. Thus the pocket that a tool resides in changes as it is swapped in and out of the spindle.

An example of random toolchanger hardware is a carousel toolchanger.

When configured for a random toolchanger, LinuxCNC swaps the pocket number of the old and the new tool in the tool table file when tools are loaded. Internal to LinuxCNC, on tool change, the tool information is **swapped** between the tool table's source pocket and pocket 0 (which represents the spindle). So after a tool change, pocket 0 in the tool table has the tool information for the new tool, and the pocket that the new tool came from has the tool information for the old tool (the tool that was in the spindle before the tool change), if any.

Note

In LinuxCNC configured for random toolchanger, tool 0 (T0) has **no** special meaning. It is treated exactly like any other tool in the tool table. It is customary to use T0 to represent "no tool" (ie, a tool with zero TLO), so that the spindle can be conveniently emptied when needed.

2.23.2 The Tool Table

LinuxCNC keeps track of tools in a file called the *tool table*. The tool table records the following information for each tool:

tool number

An integer that uniquely identifies this tool. Tool numbers are handled differently by LinuxCNC when configured for random and nonrandom toolchangers:

- When LinuxCNC is configured for a nonrandom toolchanger this number must be positive. T0 gets special handling and is not allowed to appear in the tool table.
-

- When LinuxCNC is configured for a random toolchanger this number must be non-negative. T0 is allowed in the tool table, and is usually used to represent "no tool", ie the empty pocket.

pocket number

An integer that identifies the pocket or slot in the toolchanger hardware where the tool resides. Pocket numbers are handled differently by LinuxCNC when configured for random and nonrandom toolchangers:

- When LinuxCNC is configured for a nonrandom toolchanger, the pocket number in the tool file can be any positive integer (pocket 0 is not allowed). LinuxCNC silently compactifies the pocket numbers when it loads the tool file, so there may be a difference between the pocket numbers in the tool file and the internal pocket numbers used by LinuxCNC-with-nonrandom-toolchanger.
- When LinuxCNC is configured for a random toolchanger, the pocket numbers in the tool file must be between 0 and 55, inclusive. Pockets 1-55 are in the toolchanger, pocket 0 is the spindle.

diameter

Diameter of the tool, in machine units.

tool length offset

Tool length offset (also called TLO), in up to 9 axes, in machine units. Axes that don't have a specified TLO get 0.

2.23.3 Gcodes affecting tools

The gcodes that use or affect tool information are:

2.23.3.1 Txxx

Tells the toolchanger hardware to prepare to switch to a specified tool xxx.

Handled by `Interp::convert_tool_select()`.

1. The machine is asked to prepare to switch to the selected tool by calling the Canon function `SELECT_POCKET()` with the pocket number of the requested tool.
 - a. (saicanon) No-op.
 - b. (emccanon) Builds an `EMC_TOOL_PREPARE` message with the requested pocket number and sends it to Task, which sends it on to IO. IO gets the message and asks HAL to prepare the pocket by setting `iocontrol.0.tool-prepare-pocket`, `iocontrol.0.tool-prepare-number`, and `iocontrol.0.tool-prepare`. IO then repeatedly calls `read_tool_inputs()` to poll the HAL pin `iocontrol.0.tool-prepared`, which signals from the toolchanger hardware, via HAL, to IO that the requested tool prep is complete. When that pin goes True, IO sets `emcioStatus.tool.pocketPrepped` to the requested tool's pocket number.
2. Back in `interp`, `settings->selected_pocket` is assigned the pocket number of the requested tool xxx.

2.23.3.2 M6

Tells the toolchanger to switch to the currently selected tool (selected by the previous Txxx command).

Handled by `Interp::convert_tool_change()`.

1. The machine is asked to change to the selected tool by calling the Canon function `CHANGE_TOOL()` with `settings->selected_pocket`.
 - a. (saicanon) Sets `sai's_active_slot` to the passed-in pocket number. Tool information is copied from the selected pocket of the tool table (ie, from `sai's_tools[_active_slot]`) to the spindle (aka `sai's_tools[0]`).

- b. (emccanon) Sends an EMC_TOOL_LOAD message to Task, which sends it to IO. IO sets emcioStatus.tool.toolInSpindle to the tool number of the tool in the pocket identified by emcioStatus.tool.pocketPrepped (set by Txxx aka SELECT_POCKET()). It then requests that the toolchanger hardware perform a tool change, by setting the HAL pin iocontrol.0.tool-change to True. Later, IO's read_tool_inputs() will sense that the HAL pin iocontrol.0.tool-changed has been set to True, indicating the toolchanger has completed the tool change. When this happens, it calls load_tool() to update the machine state.
 - i. load_tool() with a nonrandom toolchanger config copies the tool information from the selected pocket to the spindle (pocket 0).
 - ii. load_tool() with a random toolchanger config swaps tool information between pocket 0 (the spindle) and the selected pocket, then saves the tool table.
- 2. Back in interp, settings->current_pocket is assigned the new tool from settings->selected_pocket (set by Txxx). The relevant numbered parameters (#5400-#5413) are updated with the new tool information from pocket 0 (spindle).

2.23.3.3 G43/G43.1/G49

Apply tool length offset. G43 uses the TLO of the currently loaded tool, or of a specified tool if the H-word is given in the block. G43.1 gets TLO from axis-words in the block. G49 cancels the TLO (it uses 0 for the offset for all axes).

Handled by Interp::convert_tool_length_offset().

1. It starts by building an EmcPose containing the 9-axis offsets to use. For G43.1, these tool offsets come from axis words in the current block. For G43 these offsets come from the current tool (the tool in pocket 0), or from the tool specified by the H-word in the block. For G49, the offsets are all 0.
2. The offsets are passed to Canon's USE_TOOL_LENGTH_OFFSET() function.
 - a. (saicanon) Records the TLO in _tool_offset.
 - b. (emccanon) Builds an EMC_TRAJ_SET_OFFSET message containing the offsets and sends it to Task. Task copies the offsets to emcStatus->task.toolOffset and sends them on to Motion via an EMC_MOT_SET_OFFSET command. Motion copies the offsets to emcmotStatus->tool_offset, where it gets used to offset future motions.
3. Back in interp, the offsets are recorded in settings->tool_offset. The effective pocket is recorded in settings->tool_offset_index, though this value is never used.

2.23.3.4 G10 L1/L10/L11

Modifies the tool table.

Handled by Interp::convert_setup_tool().

1. Picks the tool number out of the P-word in the block and finds the pocket for that tool:
 - a. With a nonrandom toolchanger config this is always the pocket number in the toolchanger (even when the tool is in the spindle).
 - b. With a random toolchanger config, if the tool is currently loaded it uses pocket 0 (pocket 0 means "the spindle"), and if the tool is not loaded it uses the pocket number in the tool changer. (This difference is important.)
2. Figures out what the new offsets should be.
3. The new tool information (diameter, offsets, angles, and orientation), along with the tool number and pocket number, are passed to the Canon call SET_TOOL_TABLE_ENTRY().
 - a. (saicanon) Copy the new tool information to the specified pocket (in sai's internal tool table, _tools).

- b. (emccanon) Build an `EMC_TOOL_SET_OFFSET` message with the new tool information, and send it to Task, which passes it to IO. IO updates the specified pocket in its internal copy of the tool table (`emcioStatus.tool.toolTable`), and if the specified tool is currently loaded (it is compared to `emcioStatus.tool.toolInSpindle`) then the new tool information is copied to pocket 0 (the spindle) as well. (FIXME: that's a buglet, should only be copied on nonrandom machines.) Finally IO saves the new tool table.
4. Back in interp, if the modified tool is currently loaded in the spindle, and if the machine is a non-random toolchanger, then the new tool information is copied from the tool's home pocket to pocket 0 (the spindle) in interp's copy of the tool table, `settings->tool_table`. (This copy is not needed on random tool changer machines because there, tools don't have a home pocket and instead we just updated the tool in pocket 0 directly.)
5. The relevant numbered parameters (`#5400-#5413`) are updated from the tool information in the spindle (by copying the information from interp's `settings->tool_table` to `settings->parameters`). (FIXME: this is a buglet, the params should only be updated if it was the current tool that was modified).
6. If the modified tool is currently loaded in the spindle, and if the config is for a nonrandom toolchanger, then the new tool information is written to the tool table's pocket 0 as well, via a second call to `SET_TOOL_TABLE_ENTRY()`. (This second tool-table update is not needed on random toolchanger machines because there, tools don't have a home pocket and instead we just updated the tool in pocket 0 directly.)

2.23.3.5 M61

Set current tool number. This switches LinuxCNC's internal representation of which tool is in the spindle, without actually moving the toolchanger or swapping any tools.

Handled by `Interp::convert_tool_change()`.

Canon: `CHANGE_TOOL_NUMBER()`

`settings->current_pocket` is assigned the pocket number currently holding the tool specified by the Q-word argument.

2.23.3.6 G41/G41.1/G42/G42.1

Enable cutter radius compensation (usually called *cutter comp*).

Handled by `Interp::convert_cutter_compensation_on()`.

No Canon call, cutter comp happens in the interpreter. Uses the tool table in the expected way: if a D-word tool number is supplied it looks up the pocket number of the specified tool number in the table, and if no D-word is supplied it uses pocket 0 (the spindle).

2.23.3.7 G40

Cancel cutter radius compensation.

Handled by `Interp::convert_cutter_compensation_off()`.

No Canon call, cutter comp happens in the interpreter. Does not use the tool table.

2.23.4 Internal state variables

This is not an exhaustive list! Tool information is spread through out LinuxCNC.

2.23.4.1 IO

`emcioStatus` is of type `EMC_IO_STAT`

emcioStatus.tool.pocketPrepped

When IO gets the signal from HAL that the toolchanger prep is complete (after a `Txxx` command), this variable is set to the pocket of the requested tool. When IO gets the signal from HAL that the tool change itself is complete (after an `M6` command), this variable gets reset to -1.

emcioStatus.tool.toolInSpindle

Tool number of the tool currently installed in the spindle. Exported on the HAL pin `iocontrol.0.tool-number` (s32).

emcioStatus.tool.toolTable[]

An array of `CANON_TOOL_TABLE` structures, `CANON_POCKETS_MAX` long. Loaded from the tool table file at startup and maintained there after. Index 0 is the spindle, indexes 1-(`CANON_POCKETS_MAX`-1) are the pockets in the toolchanger. This is a complete copy of the tool information, maintained separately from Interp's `settings.tool_table`.

2.23.4.2 interp

`settings` is of type `settings`, which is struct `setup_struct`. Defined in `src/emc/rs274ngc/interp_internal.hh`.

settings.selected_pocket

Pocket of the tool most recently selected by `Txxx`.

settings.current_pocket

Original pocket of the tool currently in the spindle. In other words: which toolchanger pocket the tool that's currently in the spindle was loaded from.

settings.tool_table[]

An array of tool information. The index into the array is the "pocket number" (aka "slot number"). Pocket 0 is the spindle, pockets 1 through (`CANON_POCKETS_MAX`-1) are the pockets of the toolchanger.

settings.tool_offset_index

Unused. FIXME: Should probably be removed.

settings.toolchange_flag

Interp sets this to true when calling Canon's `CHANGE_TOOL()` function. It is checked in `Interp::convert_tool_length_offset()` to decide which pocket to use for `G43` (with no `H`-word): `settings->current_pocket` if the tool change is still in progress, pocket 0 (the spindle) if the tool change is complete.

settings.random_toolchanger

Set from the ini variable `[EMCIO]RANDOM_TOOLCHANGER` at startup. Controls various tool table handling logic. (IO also reads this ini variable and changes its behavior based on it. For example, when saving the tool table, random toolchanger save the tool in the spindle (pocket 0), but non-random toolchanger save each tool in its "home pocket".)

settings.tool_offset

This is an `EmcPose` variable.

- Used to compute position in various places.
- Sent to Motion via the `EMCMOT_SET_OFFSET` message. All motion does with the offsets is export them to the HAL pins `motion.0.tooloffset.[xyzabcuvw]`. FIXME: export these from someplace closer to the tool table (io or interp, probably) and remove the `EMCMOT_SET_OFFSET` message.

settings.pockets_max

Used interchangeably with `CANON_POCKETS_MAX` (a #defined constant, set to 56 as of 2012 December 30). FIXME: This settings variable is not currently useful and should probably be removed.

settings.tool_table

This is an array of `CANON_TOOL_TABLE` structures (defined in `src/emc/nml_intf/emctool.h`), with `CANON_POCKETS_MAX` entries. Indexed by "pocket number", aka "slot number". Index 0 is the spindle, indexes 1-(`CANON_POCKETS_MAX`-1) are the pockets in the tool changer. On a random toolchanger pocket numbers are meaningful. On a nonrandom toolchanger pockets are meaningless; the pocket numbers in the tool table file are ignored and tools are assigned to `tool_table` slots sequentially.

settings.tool_change_at_g30 , settings.tool_change_quill_up , settings.tool_change_with_spindle_on

These are set from ini variables in the `[EMCIO]` section, and control how tool changes are performed.

Chapter 3

NML Messages

3.1 EMC OPERATOR

3.1.1 EMC_OPERATOR_ERROR_TYPE

Description, NML Type: textual error message to the operator, 11

Written From: emccanon.cc, iossh.cc

Read To: emctaskmain.cc, emcsh.cc

Parameter, Type: [error, char[LINELLEN]]

3.1.2 EMC_OPERATOR_TEXT_TYPE

Description, NML Type: textual information message to the operator, 12

Written From: emctaskmain.cc

Read To: emctaskmain.cc, emcsh.cc

Parameter, Type: [text, char[LINELLEN]]

3.1.3 EMC_OPERATOR_DISPLAY_TYPE

Description, NML Type: URL or filename of a document to display, 13

Obs: not used, only read

Written From: none

Read To: emctaskmain.cc, emcsh.cc

Parameter, Type: [display, char[LINELLEN]]

3.2 EMC NULL, SET, DEBUG, & SYSTEM

3.2.1 EMC_NULL_TYPE

Description, NML Type: used to reset serial number to original, 21

Written From: thisQuit (emcsh.cc)

Read To: emctaskmain.cc

Parameter, Type: none

3.2.2 EMC_SET_DEBUG_TYPE

Description, NML Type: sets debug level, 22

Written From: emcIoSetDebug (iotaskintf.cc), sendDebug (emcsh.cc)

Read To: emctaskmain.cc, ioControl.cc

Parameter, Type: [debug, int]

3.2.3 EMC_SYSTEM_CMD_TYPE

Description, NML Type: execute a system command, 30

Written From: user_defined_add_m_code (emctask.cc)

Read To: emcSystemCmd (emctaskmain.cc)

Parameter, Type: [string, char[LINELLEN]]

3.3 EMC AXIS

3.3.1 EMC_AXIS_SET_AXIS_TYPE

Description, NML Type: axis type to linear or angular, 101

Obs: not used

Written From: none

Read To: none

Parameter, Type: [axis (in EMC_AXIS_CMD_MSG), int] [axisType, unsigned char]

3.3.2 EMC_AXIS_SET_UNITS_TYPE

Description, NML Type: units conversion factor, 102

Obs: not used

Written From: none

Read To: none

Parameter, Type: [axis (in EMC_AXIS_CMD_MSG), int] [units, double]

3.3.3 EMC_AXIS_SET_GAINS_TYPE

Description, NML Type: Set the PID gains, 103

Obs: currently not used in EMC2, needs to go to HAL

Written From: none

Read To: emctaskmain.cc Parameter, Type: [axis (in EMC_AXIS_CMD_MSG), int] [p, double] [i, double] [d, double] [ff0, double] [ff1, double] [ff2, double] [backlash, double] [bias, double] [maxError, double]

3.3.4 EMC_AXIS_SET_CYCLE_TIME_TYPE

Description, NML Type: cycle time for the servo task, 104

Written From: none

Read To: emctaskmain.cc

Parameter, Type: [axis (in EMC_AXIS_CMD_MSG), int] [cycleTime, double]

3.3.5 EMC_AXIS_SET_INPUT_SCALE_TYPE

Description, NML Type: scale factor and offset for the position input, 105

Obs: currently if 0'ed, used only directly from iniaxis

Written From: none Read To: emcTaskIssueCommand (emctaskmain.cc) calls emcAxisSetInputScale (minimillbridgeporttaskintf.cc) which sends EMC_MOT_SET_INPUT_SCALE

Parameter, Type: [axis (in EMC_AXIS_CMD_MSG), int] [scale, double] [offset, double]

3.3.6 EMC_AXIS_SET_OUTPUT_SCALE_TYPE

Description, NML Type: scale factor and offset for the position output, 106

Obs: currently if 0'ed, used only directly from iniaxis

Written From: none

Read To: emcTaskIssueCommand (emctaskmain.cc)

Parameter, Type: [axis (in EMC_AXIS_CMD_MSG), int] [scale, double] [offset, double]

3.3.7 EMC_AXIS_SET_MIN_POSITION_LIMIT_TYPE

Description, NML Type: sets min limit, 107

Obs: also handled by iniaxis which directly calls emcAxisSetMinPositionLimit

Written From: none Read To: emcTaskIssueCommand (emctaskmain.cc) calls emcAxisSetMinPositionLimit (taskintf.cc) which sends EMC_MOT_SET_POSITION_LIMITS

Parameter, Type: [axis (in EMC_AXIS_CMD_MSG), int] [limit, double]

3.3.8 EMC_AXIS_SET_MAX_POSITION_LIMIT_TYPE

Description, NML Type: sets max limit, 108

Obs: also handled by iniaxis which directly calls emcAxisSetMaxPositionLimit

Written From: none Read To: emcTaskIssueCommand (emctaskmain.cc) calls emcAxisSetMaxPositionLimit (taskintf.cc) which sends EMC_MOT_SET_POSITION_LIMITS

Parameter, Type: [axis (in EMC_AXIS_CMD_MSG), int] [limit, double]

3.3.9 EMC_AXIS_SET_MIN_OUTPUT_LIMIT_TYPE

Description, NML Type: -, 109

Obs: not used

Written From: none

Read To: none

Parameter, Type: [axis (in EMC_AXIS_CMD_MSG), int] [limit, double]

3.3.10 EMC_AXIS_SET_MAX_OUTPUT_LIMIT_TYPE

Description, NML Type: -, 110

Obs: not used

Written From: none

Read To: none

Parameter, Type: [axis (in EMC_AXIS_CMD_MSG), int] [limit, double]

3.3.11 EMC_AXIS_SET_FERROR_TYPE

Description, NML Type: sets max following error, 111

Obs: also handled by iniaxis which directly calls emcAxisSetError

Written From: none Read To: emcTaskIssueCommand (emctaskmain.cc) calls emcAxisSetError (taskintf.cc) which sends EMC_MOT_SET_MAX_FERROR

Parameter, Type: [axis (in EMC_AXIS_CMD_MSG), int] [ferror, double]

3.3.12 EMC_AXIS_SET_HOMING_VEL_TYPE

Description, NML Type: -, 112

Obs: in EMC2 those are SET_HOMING_PARAMS double home, double offset, double search_vel, double latch_vel, int use_index, int ignore_limits,

Written From: none

Read To: none

Parameter, Type: [axis (in EMC_AXIS_CMD_MSG), int] [ferror, double]

3.3.13 EMC_AXIS_SET_HOME_TYPE

Description, NML Type: -, 113

Written From: none

Read To: none

Parameter, Type: [axis (in EMC_AXIS_CMD_MSG), int] [homingVel, double]

3.3.14 EMC_AXIS_SET_HOME_OFFSET_TYPE

Description, NML Type: -, 114

Written From: none

Read To: none

Parameter, Type: [axis (in EMC_AXIS_CMD_MSG), int] [home, double]

3.3.15 EMC_AXIS_SET_MIN_FERROR_TYPE

Description, NML Type: sets min following error, 115

Obs: also handled by iniaxis which directly calls emcAxisSetMinError

Written From: none

Read To: emcTaskIssueCommand (emctaskmain.cc) calls emcAxisSetMinError (taskintf.cc) which sends EMC_MOT_SET_MIN_FERROR

Parameter, Type: [axis (in EMC_AXIS_CMD_MSG), int] [offset, double]

3.3.16 EMC_AXIS_SET_MAX_VELOCITY_TYPE

Description, NML Type: sets max. velocity, 116

Obs: not used

Written From: none

Read To: none

Parameter, Type: [axis (in EMC_AXIS_CMD_MSG), int] [vel, double]

3.3.17 EMC_AXIS_INIT_TYPE

Description, NML Type: -, 118

Obs: not used

Written From: none

Read To: none

Parameter, Type: [axis (in EMC_AXIS_CMD_MSG), int]

3.3.18 EMC_AXIS_HALT_TYPE

Description, NML Type: -, 119

Obs: not used, only read

Written From: none

Read To: emcTaskIssueCommand (emctaskmain.cc)
calls emcAxisHalt (taskintf.cc)

Parameter, Type: [axis (in EMC_AXIS_CMD_MSG), int]

3.3.19 EMC_AXIS_ABORT_TYPE

Description, NML Type: aborts motion on an axis (e.g. GUI jogs), 120

Obs: used from the GUI when stopping a manual jog

Written From: sendJogStop (emcsh.cc)

Read To: emcTaskIssueCommand (emctaskmain.cc)
calls emcAxisAbort (taskintf.cc)
which sends EMCMOT_AXIS_ABORT

Parameter, Type: [axis (in EMC_AXIS_CMD_MSG), int]

3.3.20 EMC_AXIS_ENABLE_TYPE

Description, NML Type: enables axis, 121

Obs: not used from tkemc & mini

Written From: sendAxisEnable (emcsh.cc)

Read To: emcTaskIssueCommand (emctaskmain.cc)
calls emcAxisEnable (taskintf.cc)
which sends EMCMOT_ENABLE_AMPLIFIER

Parameter, Type: [axis (in EMC_AXIS_CMD_MSG), int]

3.3.21 EMC_AXIS_DISABLE_TYPE

Description, NML Type: disable axis, 122

Obs: not used from tkemc & mini

Written From: sendAxisDisable (emcsh.cc)

Read To: emcTaskIssueCommand (emctaskmain.cc)
calls emcAxisDisable (taskintf.cc)
which sends EMC_MOT_DISABLE_AMPLIFIER

Parameter, Type: [axis (in EMC_AXIS_CMD_MSG), int]

3.3.22 EMC_AXIS_HOME_TYPE

Description, NML Type: home an axis at current position, 123

Obs: used from tkemc & mini through emc_home

Written From: sendHome (emcsh.cc)

Read To: emcTaskIssueCommand (emctaskmain.cc)
calls emcAxisHome (taskintf.cc)
which sends EMC_MOT_HOME

Parameter, Type: [axis (in EMC_AXIS_CMD_MSG), int]

3.3.23 EMC_AXIS_JOG_TYPE

Description, NML Type: jogs an axis continuously, 124

Obs: used on jogging

Written From: sendJogCont (emcsh.cc)

Read To: emcTaskIssueCommand (emctaskmain.cc)
calls emcAxisJog (taskintf.cc)
which sends EMC_MOT_JOG_CONT

Parameter, Type: [axis (in EMC_AXIS_CMD_MSG), int] [vel, double]

3.3.24 EMC_AXIS_INCR_JOG_TYPE

Description, NML Type: jogs an axis with an increment, 125

Obs: used on jogging

Written From: sendJogIncr (emcsh.cc)

Read To: emcTaskIssueCommand (emctaskmain.cc)
calls emcAxisIncrJog (taskintf.cc)
which sends EMC_MOT_JOG_INCR

Parameter, Type: [axis (in EMC_AXIS_CMD_MSG), int]
incr, double] [vel, double]

3.3.25 EMC_AXIS_ABS_JOG_TYPE

Description, NML Type: jogs an axis with an absolute value, 126

Obs: not used, only read

Written From: none

Read To: emcTaskIssueCommand (emctaskmain.cc)
calls emcAxisAbsJog (taskintf.cc)

which sends EMC_MOT_JOG_ABS Parameter, Type: [axis (in EMC_AXIS_CMD_MSG), int] [pos, double] [vel, double]

3.3.26 EMC_AXIS_ACTIVATE_TYPE

Description, NML Type: -, 127

Obs: not used

Written From: none

Read To: none

Parameter, Type: [axis (in EMC_AXIS_CMD_MSG), int]

3.3.27 EMC_AXIS_DEACTIVATE_TYPE

Description, NML Type: -, 128

Obs: not used

Written From: none

Read To: none

Parameter, Type: [axis (in EMC_AXIS_CMD_MSG), int]

3.3.28 EMC_AXIS_OVERRIDE_LIMITS_TYPE

Description, NML Type: overrides min/max limits during homing, 129

Obs: used from tkemc & mini through emc_override_limit

Written From: sendOverrideLimits (emcsh.cc)

Read To: emcTaskIssueCommand (emctaskmain.cc)
calls emcAxisOverrideLimits (taskintf.cc)
which sends EMCMOT_OVERRIDE_LIMITS

Parameter, Type: [axis (in EMC_AXIS_CMD_MSG), int]

3.3.29 EMC_AXIS_SET_OUTPUT_TYPE

Description, NML Type: sets an DAC output value, 130

Obs: currently not used in EMC2, needs to go to HAL

Written From: sendAxisSetOutput (emcsh.cc)

Read To: emcTaskIssueCommand (emctaskmain.cc)
calls emcAxisSetOutput (taskintf.cc)
which sends EMCMOT_DAC_OUT

Parameter, Type: [axis (in EMC_AXIS_CMD_MSG), int] [output, double]

3.3.30 EMC_AXIS_LOAD_COMP_TYPE

Description, NML Type: loads compensation values from a file, 131

Obs: currently usrMotLoadComp if 0'ed in EMC2

Written From: sendAxisLoadComp (emcsh.cc)

Read To: emcTaskIssueCommand (emctaskmain.cc)
calls emcAxisLoadComp (minimillbridgeporttaskintf.cc)
which calls usrMotLoadComp

Parameter, Type: [axis (in EMC_AXIS_CMD_MSG), int] [file, char[LINELLEN]]

3.3.31 EMC_AXIS_ALTER_TYPE

Description, NML Type: loads the alter value to modify the axis position, 132

Written From: sendAxisAlter (emcsh.cc)

Read To: emcTaskIssueCommand (emctaskmain.cc)
calls emcAxisAlter (taskintf.cc)
which calls usrnotAlter

Parameter, Type: [axis (in EMC_AXIS_CMD_MSG), int] [alter, double]

3.3.32 EMC_AXIS_SET_STEP_PARAMS_TYPE

Description, NML Type: was used to set step related params, 133

Obs: currently not used in EMC2, needs to go to HAL
(maybe directly from the ini, not through NML)

Written From: none

Read To: emcTaskIssueCommand (emctaskmain.cc)
calls emcAxisSetStepParams (taskintf.cc)
which sends EMCMOT_SET_STEP_PARAMS

Parameter, Type: [axis (in EMC_AXIS_CMD_MSG), int] [setup_time, double] [hold_time, double]

3.3.33 EMC_AXIS_STAT_TYPE

Description, NML Type: status for axis, not sent as a message but used as is, 199

Written From: none

Read To: none

Parameter, Type: [a HUGE load of params]

3.4 EMC TRAJ

3.4.1 EMC_TRAJ_SET_AXES_TYPE

Description, NML Type: -, 201

Obs: not used

Written From: none

Read To: none

Parameter, Type: [axes, int]

3.4.2 EMC_TRAJ_SET_UNITS_TYPE

Description, NML Type: -, 202

Obs: not used

Written From: none

Read To: none

Parameter, Type: [linearUnits, double] [angularUnits, double]

3.4.3 EMC_TRAJ_SET_CYCLE_TIME_TYPE

Description, NML Type: -, 203

Obs: not used

Written From: none

Read To: none

Parameter, Type: [cycleTime, double]

3.4.4 EMC_TRAJ_SET_MODE_TYPE

Description, NML Type: -, 204

Obs: not used

Written From: none

Read To: none

Parameter, Type: [mode, enum EMC_TRAJ_MODE_ENUM]

3.4.5 EMC_TRAJ_SET_VELOCITY_TYPE

Description, NML Type: sends a request to set the vel, which is in internal units/sec, 205

Written From: sendVelMsg (emccanon.cc)

Read To: emcTaskIssueCommand (emctaskmain.cc)
calls emcTrajSetVelocity (minimill | bridgeporttaskintf.cc)
which sends EMCMOT_SET_VEL

Parameter, Type: [velocity, double]

3.4.6 EMC_TRAJ_SET_ACCELERATION_TYPE

Description, NML Type: -, 206

Obs: not used

Written From: none

Read To: none

Parameter, Type: [acceleration, double]

3.4.7 EMC_TRAJ_SET_MAX_VELOCITY_TYPE

Description, NML Type: -, 207

Obs: not used

Written From: none

Read To: none

Parameter, Type: [velocity, double]

3.4.8 EMC_TRAJ_SET_MAX_ACCELERATION_TYPE

Description, NML Type: -, 208

Obs: not used

Written From: none

Read To: none

Parameter, Type: [acceleration, double]

3.4.9 EMC_TRAJ_SET_SCALE_TYPE

Description, NML Type: set the feed override to be the percent value, 209

Obs: used for feed override messages

Written From: sendFeedOverride (emcsh.cc)

Read To: emcTaskIssueCommand (emctaskmain.cc)
calls emcTrajSetScale (taskintf.cc)
which sends EMCMOT_SCALE

Parameter, Type: [scale, double]

3.4.10 EMC_TRAJ_SET_MOTION_ID_TYPE

Description, NML Type: -, 210

Obs: not used

Written From: none

Read To: none

Parameter, Type: [id, int]

3.4.11 EMC_TRAJ_INIT_TYPE

Description, NML Type: -, 211

Obs: not used

Written From: none

Read To: none

Parameter, Type:

3.4.12 EMC_TRAJ_HALT_TYPE

Description, NML Type: -, 212

Obs: not used

Written From: none

Read To: none

Parameter, Type:

3.4.13 EMC_TRAJ_ENABLE_TYPE

Description, NML Type: -, 213

Obs: not used

Written From: none

Read To: none

Parameter, Type:

3.4.14 EMC_TRAJ_DISABLE_TYPE

Description, NML Type: -, 214

Obs: not used

Written From: none

Read To: none

Parameter, Type:

3.4.15 EMC_TRAJ_ABORT_TYPE

Description, NML Type: causes traj to abort ?, 215

Obs: not used, only read

Written From: none

Read To: emcTaskIssueCommand (emctaskmain.cc)
calls emcTrajAbort (taskintf.cc)
which sends EMCMOT_ABORT

Parameter, Type:

3.4.16 EMC_TRAJ_PAUSE_TYPE

Description, NML Type: causes traj to pause ?, 216

Obs: not used, only read

Written From: none

Read To: emcTaskIssueCommand (emctaskmain.cc)
calls emcTrajPause (minimill | bridgeporttaskintf.cc)
which sends EMCMOT_PAUSE

Parameter, Type:

3.4.17 EMC_TRAJ_STEP_TYPE

Description, NML Type: -, 217

Obs: not used

Written From: none

Read To: none

Parameter, Type:

3.4.18 EMC_TRAJ_RESUME_TYPE

Description, NML Type: causes traj to resume ?, 218

Obs: not used, only read

Written From: none

Read To: emcTaskIssueCommand (emctaskmain.cc)
calls emcTrajResume (minimill | bridgeporttaskintf.cc)
which sends EMC MOT_RESUME

Parameter, Type:

3.4.19 EMC_TRAJ_DELAY_TYPE

Description, NML Type: sets a delay in the task execution, 219

Obs: used with dwelling

Written From: DWELL (emccanon.cc)

Read To: emcTaskIssueCommand (emctaskmain.cc)

Parameter, Type: [delay, double]

3.4.20 EMC_TRAJ_LINEAR_MOVE_TYPE

Description, NML Type: sends a linear move from the interp to motion, 220

Obs: used

Written From: STRAIGHT_TRAVERSE, ARC_FEED (emccanon.cc)

Read To: checkInterpList, emcTaskIssueCommand (emctaskmain.cc)
calls emcTrajLinearMove (minimill | bridgeporttaskintf.cc)
which sends EMC MOT_SET_LINE

Parameter, Type: [end, EmcPose]

3.4.21 EMC_TRAJ_CIRCULAR_MOVE_TYPE

Description, NML Type: sends a circular move from the interp to motion, 221

Obs: used

Written From: ARC_FEED (emccanon.cc)

Read To: checkInterpList, emcTaskIssueCommand (emctaskmain.cc)
calls emcTrajCircularMove (minimill | bridgeporttaskintf.cc)

which sends EMC MOT_SET_CIRCLE Parameter, Type: [end, EmcPose] [center, PM_CARTESIAN] [normal, PM_CARTESIAN] [turn, int]

3.4.22 EMC_TRAJ_SET_TERM_COND_TYPE

Description, NML Type: chooses between blending or exact path mode, 222

Obs: used, seems the interp knows exact PATH, STOP and BLEND, motion however knows only BLEND or STOP

Written From: SET_MOTION_CONTROL_MODE (emccanon.cc)

Read To: emcTaskIssueCommand (emctaskmain.cc)
calls emcTrajSetTermCond (minimill | bridgeporttaskintf.cc)
which sends EMC MOT_TERM_COND_STOP or EMC MOT_TERM_COND_BLEND

Parameter, Type: [cond, int]

3.4.23 EMC_TRAJ_SET_OFFSET_TYPE

Description, NML Type: is used for tool length offset, 223

Obs: used, the message could transport more than just Z offset used for tool length

Written From: USE_TOOL_LENGTH_OFFSET (emccanon.cc)

Read To: emcTaskIssueCommand (emctaskmain.cc)

` `remembers the origin offset into emcStatus->task.origin

Parameter, Type: [offset, EmcPose]

3.4.24 EMC_TRAJ_SET_ORIGIN_TYPE

Description, NML Type: sets the origin coords ?, 224

Obs: used

Written From: SET_ORIGIN_OFFSETS (emccanon.cc)

Read To: emcTaskIssueCommand (emctaskmain.cc)

remembers the tool length offset

Parameter, Type: [origin, EmcPose]

3.4.25 EMC_TRAJ_SET_HOME_TYPE

Description, NML Type: -, 225

Obs: not used

Written From: none

Read To: none

Parameter, Type: [home, EmcPose]

3.4.26 EMC_TRAJ_SET_PROBE_INDEX_TYPE

Description, NML Type: sends the index pin used for probing, 226

Obs: should get obsolete, probin pin should get routed by HAL

Written From: sendSetProbeIndex (emcsh.cc)

Read To: emcTaskIssueCommand (emctaskmain.cc)

calls emcTrajSetProbeIndex (minimill | bridgeporttaskintf.cc)

which sends EMCOT_SET_PROBE_INDEX

Parameter, Type: [index, int]

3.4.27 EMC_TRAJ_SET_PROBE_POLARITY_TYPE

Description, NML Type: sends the polarity for the pin used for probing, 227

Obs: should get obsolete, probin pin polarity should get routed by HAL

Written From: sendSetProbePolarity (emcsh.cc)

Read To: emcTaskIssueCommand (emctaskmain.cc)

calls emcTrajSetProbePolarity (minimill | bridgeporttaskintf.cc)

which sends EMCOT_SET_PROBE_POLARITY

Parameter, Type: [polarity, int]

3.4.28 EMC_TRAJ_CLEAR_PROBE_TRIPPED_FLAG_TYPE

Description, NML Type: clears the probe tripped, 228

Obs: used

Written From: TURN_PROBE_ON (emccanon.cc)
sendClearProbeTrippedFlag (emcsh.cc)

Read To: emcTaskIssueCommand (emctaskmain.cc)
calls emcTrajClearProbeTrippedFlag (minimill | bridgeporttaskintf.cc)
which sends EMC_MOT_CLEAR_PROBE_FLAGS

Parameter, Type:

3.4.29 EMC_TRAJ_PROBE_TYPE

Description, NML Type: performs a straight probe move, 229

Obs: used

Written From: STRAIGHT_PROBE (emccanon.cc) sendProbe (emesh.cc)

Read To: emcTaskIssueCommand (emctaskmain.cc)
calls emcTrajProbe (minimill | bridgeporttaskintf.cc)
which sends EMC_MOT_PROBE

Parameter, Type: [pos, EmcPose]

3.4.30 EMC_TRAJ_SET_TELEOP_ENABLE_TYPE

Description, NML Type: sets the traj mode to teleop, 230

Obs: used

Written From: sendSetTeleopEnable (emcsh.cc)

Read To: emcTaskIssueCommand (emctaskmain.cc)
calls emcTrajSetMode (minimill | bridgeporttaskintf.cc)
which sends EMC_MOT_TELEOP

Parameter, Type: [enable, int]

3.4.31 EMC_TRAJ_SET_TELEOP_VECTOR_TYPE

Description, NML Type: jogs in teleop mode, 231

Obs: used for jogging in teleop mode

Written From: sendJogCont (emcsh.cc)

Read To: emcTaskIssueCommand (emctaskmain.cc)
calls emcTrajSetTeleopVector (minimill | bridgeporttaskintf.cc)
which sends EMC_MOT_SET_TELEOP_VECTOR

Parameter, Type: [vector, EmcPose]

3.4.32 EMC_TRAJ_STAT_TYPE

Description, NML Type: status for traj, not sent as a message but used as is, 299

Written From: none

Read To: none

Parameter, Type: [a HUGE load of params]

3.5 EMC MOTION

3.5.1 EMC_MOTION_INIT_TYPE

Description, NML Type: -, 301

Obs: not used

Written From: none

Read To: none

Parameter, Type:

3.5.2 EMC_MOTION_HALT_TYPE

Description, NML Type: -, 302

Obs: not used

Written From: none

Read To: none

Parameter, Type:

3.5.3 EMC_MOTION_ABORT_TYPE

Description, NML Type: -, 303

Obs: not used

Written From: none

Read To: none

Parameter, Type:

3.5.4 EMC_MOTION_SET_AOUT_TYPE

Description, NML Type: sets an analog output value coordinated with motion, 304

Obs: emccanon.cc currently lacks this in EMC2, not used in EMC2, needs to go to HAL

Written From: none

Read To: emcTaskIssueCommand (emctaskmain.cc)

calls emcMotionSetAout (minimill | bridgeporttaskintf.cc)

which sends EMC_MOT_SET_AOUT Parameter, Type: [index, unsigned char] [start, double] [end, double] [now, unsigned char]

3.5.5 EMC_MOTION_SET_DOUT_TYPE

Description, NML Type: sets an digital output value coordinated with motion, 305

Obs: emccanon.cc currently lacks this in EMC2, not used in EMC2, needs to go to HAL

Written From: none

Read To: emcTaskIssueCommand (emctaskmain.cc)

calls emcMotionSetDout (minimill | bridgeporttaskintf.cc)

which sends EMC_MOT_SET_DOUT

Parameter, Type: [index, unsigned char] [start, double] [end, double]

3.5.6 EMC_MOTION_STAT_TYPE

Description, NML Type: status for motion, not sent as a message but used as is, 399

Written From: none

Read To: none Parameter, Type: [heartbeat, unsigned long int] [traj, EMC_TRAJ_STAT] [axis[EMC_AXIS_MAX], EMC_AXIS_STAT]

3.6 EMC TASK

3.6.1 EMC_TASK_INIT_TYPE

Description, NML Type: calls the Task init(), 501

Obs: not used, emcTaskInit called directly from emctask_startup()

Written From: none

Read To: emcTaskIssueCommand (emctaskmain.cc) calls emcTaskInit()

Parameter, Type:

3.6.2 EMC_TASK_HALT_TYPE

Description, NML Type: -, 502

Written From: none

Read To: none

Parameter, Type:

3.6.3 EMC_TASK_ABORT_TYPE

Description, NML Type: aborts task, cleans up, 503

Obs: used on shutdown

Written From: sendAbort (emcsh.cc)

Read To: emcTaskIssueCommand (emctaskmain.cc) aborts all

Parameter, Type:

3.6.4 EMC_TASK_SET_MODE_TYPE

Description, NML Type: sets current TASK mode, MANUAL, MDI, AUTO, 504

Obs: used for switching the current mode

Written From: sendManual sendMdi sendAuto (emcsh.cc)

Read To: emcTaskIssueCommand (emctaskmain.cc)
calls emcTaskSetMode (emcTask.cc)

Parameter, Type: [mode, enum EMC_TASK_MODE_ENUM]

3.6.5 EMC_TASK_SET_STATE_TYPE

Description, NML Type: , 505

Written From: none

Read To: none

Parameter, Type: [state, enum EMC_TASK_STATE_ENUM]

3.6.6 EMC_TASK_PLAN_OPEN_TYPE

Description, NML Type: , 506

Written From: none

Read To: none

Parameter, Type: [file, char[LINELLEN]]

3.6.7 EMC_TASK_PLAN_RUN_TYPE

Description, NML Type: , 507

Written From: none

Read To: none

Parameter, Type: [line, int]

3.6.8 EMC_TASK_PLAN_READ_TYPE

Description, NML Type: , 508

Written From: none

Read To: none

Parameter, Type:

3.6.9 EMC_TASK_PLAN_EXECUTE_TYPE

Description, NML Type: , 509

Written From: none

Read To: none

Parameter, Type: [command, char[LINELLEN]]

3.6.10 EMC_TASK_PLAN_PAUSE_TYPE

Description, NML Type: , 510

Written From: none

Read To: none

Parameter, Type:

3.6.11 EMC_TASK_PLAN_STEP_TYPE

Description, NML Type: , 511

Written From: none

Read To: none

Parameter, Type:

3.6.12 EMC_TASK_PLAN_RESUME_TYPE

Description, NML Type: , 512

Written From: none

Read To: none

Parameter, Type:

3.6.13 EMC_TASK_PLAN_END_TYPE

Description, NML Type: , 513

Written From: none

Read To: none

Parameter, Type:

3.6.14 EMC_TASK_PLAN_CLOSE_TYPE

Description, NML Type: , 514

Written From: none

Read To: none

Parameter, Type:

3.6.15 EMC_TASK_PLAN_INIT_TYPE

Description, NML Type: , 515

Written From: none

Read To: none

Parameter, Type:

3.6.16 EMC_TASK_PLAN_SYNC_TYPE

Description, NML Type: , 516

Written From: none

Read To: none

Parameter, Type:

3.6.17 EMC_TASK_STAT_TYPE

Description, NML Type: , 599

Written From: none

Read To: none

Parameter, Type: [heartbeat, unsigned long int] [a HUGE load of params]

3.7 EMC TOOL

3.7.1 EMC_TOOL_INIT_TYPE

Description, NML Type: starts TOOL init, 1101

Obs: used for initializing the IO stuff, should load the tool table too

Written From: emcIoInit (iotaskintf.cc)

Read To: main (ioControl.cc simIoControl.cc)
emc_io_get_command (iosh.cc)

Parameter, Type:

3.7.2 EMC_TOOL_HALT_TYPE

Description, NML Type: stops TOOL, 1102

Obs: used for stopping IO, doesn't actually do anything so far, in EMC1 it was send to subordinates too (spindle, aux, coolant, lube)

Written From: emcIoHalt (iotaskintf.cc)

Read To: main (ioControl.cc simIoControl.cc)
emc_io_get_command (iosh.cc)

Parameter, Type:

3.7.3 EMC_TOOL_ABORT_TYPE

Description, NML Type: aborts TOOL, 1103

Obs: used for aborting IO, doesn't actually do anything so far, in EMC1 it was send to subordinates too (spindle, aux, coolant, lube)

Written From: emcIoAbort (iotaskintf.cc)

Read To: main (ioControl.cc simIoControl.cc)
emc_io_get_command (iosh.cc)

Parameter, Type:

3.7.4 EMC_TOOL_PREPARE_TYPE

Description, NML Type: prepares a tool for tool changing, 1104

Obs: loads the prep tool in emcioStatus.tool.toolPrepped, should go to PLC and make it move the desired tool in the toolchanging position

Written From: SELECT_TOOL (emccanon.cc)

Read To: emcTaskIssueCommand (emctaskmain.cc)
calls emcToolPrepare (iotaskintf.cc)
which sends it to the IO controller

Parameter, Type: [tool, int]

3.7.5 EMC_TOOL_LOAD_TYPE

Description, NML Type: changes the current tool with the prepared tool, 1105

Obs: loads the actual tool, makes toolprepped=0

Written From: CHANGE_TOOL (emccanon.cc)

Read To: emcTaskIssueCommand (emctaskmain.cc)
calls emcToolLoad (iotaskintf.cc)
which sends it to the IO controller,
main (simIoControl.cc ioControl.cc)

Parameter, Type:

3.7.6 EMC_TOOL_UNLOAD_TYPE

Description, NML Type: unloads the current tool from the spindle, 1106

Obs: unloads the current tool, not written in EMC2 only read

Written From: none

Read To: emcTaskIssueCommand (emctaskmain.cc)
calls emcToolUnLoad (iotaskintf.cc)
which sends it to the IO controller,
main (simIoControl.cc ioControl.cc)

Parameter, Type:

3.7.7 EMC_TOOL_LOAD_TOOL_TABLE_TYPE

Description, NML Type: loads the tool table, without this tool comp. can't be made, 1107

Written From: sendLoadToolTable (emcsh.cc)

Read To: none

Parameter, Type: [file, char[LINELLEN]]

3.7.8 EMC_TOOL_SET_OFFSET_TYPE

Description, NML Type: , 1108

Written From: none

Read To: none

Parameter, Type: [tool, int] [length, double] [diameter, double]

3.7.9 EMC_TOOL_STAT_TYPE

Description, NML Type: , 1199

Written From: none

Read To: none

Parameter, Type:

3.8 EMC AUX

3.8.1 EMC_AUX_INIT_TYPE

Description, NML Type: , 1201

Written From: none

Read To: none

Parameter, Type:

3.8.2 EMC_AUX_HALT_TYPE

Description, NML Type: , 1202

Written From: none

Read To: none

Parameter, Type:

3.8.3 EMC_AUX_ABORT_TYPE

Description, NML Type: , 1203

Written From: none

Read To: none

Parameter, Type:

3.8.4 EMC_AUX_DIO_WRITE_TYPE

Description, NML Type: , 1204

Written From: none

Read To: none

Parameter, Type: [index, int] [value, int]

3.8.5 EMC_AUX_AIO_WRITE_TYPE

Description, NML Type: , 1205

Written From: none

Read To: none

Parameter, Type: [index, int] [value, double]

3.8.6 EMC_AUX_ESTOP_ON_TYPE

Description, NML Type: , 1206

Written From: none

Read To: none

Parameter, Type:

3.8.7 EMC_AUX_ESTOP_OFF_TYPE

Description, NML Type: , 1207

Written From: none

Read To: none

Parameter, Type:

3.8.8 EMC_AUX_STAT_TYPE

Description, NML Type: , 1299

Written From: none

Read To: none Parameter, Type: [estop, int] [estopIn, int] [dout, unsigned char[EMC_AUX_MAX_DOUT]] [din, unsigned char[EMC_AUX_MAX_DIN]] [aout, double[EMC_AUX_MAX_AOUT]] [ain, double[EMC_AUX_MAX_AIN]]

3.9 EMC SPINDLE

3.9.1 EMC_SPINDLE_INIT_TYPE

Description, NML Type: , 1301

Written From: none

Read To: none

Parameter, Type:

3.9.2 EMC_SPINDLE_HALT_TYPE

Description, NML Type: , 1302

Written From: none

Read To: none

Parameter, Type:

3.9.3 EMC_SPINDLE_ABORT_TYPE

Description, NML Type: , 1303

Written From: none

Read To: none

Parameter, Type:

3.9.4 EMC_SPINDLE_ON_TYPE

Description, NML Type: , 1304

Written From: none

Read To: none

Parameter, Type: [speed, double]

3.9.5 EMC_SPINDLE_OFF_TYPE

Description, NML Type: , 1305

Written From: none

Read To: none

Parameter, Type:

3.9.6 EMC_SPINDLE_FORWARD_TYPE

Description, NML Type: , 1306

Written From: none

Read To: none

Parameter, Type: [speed, double]

3.9.7 EMC_SPINDLE_REVERSE_TYPE

Description, NML Type: , 1307

Written From: none

Read To: none

Parameter, Type: [speed, double]

3.9.8 EMC_SPINDLE_STOP_TYPE

Description, NML Type: , 1308

Written From: none

Read To: none

Parameter, Type: [speed, double]

3.9.9 EMC_SPINDLE_INCREASE_TYPE

Description, NML Type: , 1309

Written From: none

Read To: none

Parameter, Type: [speed, double]

3.9.10 EMC_SPINDLE_DECREASE_TYPE

Description, NML Type: , 1310

Written From: none

Read To: none

Parameter, Type:

3.9.11 EMC_SPINDLE_CONSTANT_TYPE

Description, NML Type: , 1311

Written From: none

Read To: none

Parameter, Type:

3.9.12 EMC_SPINDLE_BRAKE_RELEASE_TYPE

Description, NML Type: , 1312

Written From: none

Read To: none

Parameter, Type:

3.9.13 EMC_SPINDLE_BRAKE_ENGAGE_TYPE

Description, NML Type: , 1313

Written From: none

Read To: none

Parameter, Type:

3.9.14 EMC_SPINDLE_ENABLE_TYPE

Description, NML Type: , 1314

Written From: none

Read To: none

Parameter, Type:

3.9.15 EMC_SPINDLE_DISABLE_TYPE

Description, NML Type: , 1315

Written From: none

Read To: none

Parameter, Type:

3.9.16 EMC_SPINDLE_STAT_TYPE

Description, NML Type: , 1399

Written From: none

Read To: none Parameter, Type: [speed, double] [direction, int] [brake, int] [increasing, int] [enabled, int]

3.10 EMC COOLANT

3.10.1 EMC_COOLANT_INIT_TYPE

Description, NML Type: initializes the COOLANT controller (currently part of the IO controller), 1401

Obs: not written in EMC2, only read, in EMC1 it was sent when TOOL_INIT was sent

Written From: none

Read To: main (ioControl.cc simIoControl.cc)
emc_io_get_command (iosh.cc)

Parameter, Type: none

3.10.2 EMC_COOLANT_HALT_TYPE

Description, NML Type: stops the COOLANT, 1402

Obs: not written in EMC2, only read, in EMC1 it was sent when TOOL_HALT was sent

Written From: none

Read To: main (ioControl.cc simIoControl.cc)
emc_io_get_command (iosh.cc)

Parameter, Type: none

3.10.3 EMC_COOLANT_ABORT_TYPE

Description, NML Type: aborts the COOLANT, 1403

Obs: not written in EMC2, only read, in EMC1 it was sent when TOOL_ABORT was sent

Written From: none

Read To: main (ioControl.cc simIoControl.cc)
emc_io_get_command (iosh.cc)

Parameter, Type: none

3.10.4 EMC_COOLANT_MIST_ON_TYPE

Description, NML Type: starts MIST coolant, 1404

Obs: used, written by emccanon.cc

Written From: MIST_ON (emccanon.cc) sendMistOn (emcsh.cc)

Read To: emcTaskIssueCommand (emctaskmain.cc)
calls emcCoolantMistOn (iotaskintf.cc)
which sends it to the IO controller,
main (simIoControl.cc ioControl.cc) iossh.cc

Parameter, Type: none

3.10.5 EMC_COOLANT_MIST_OFF_TYPE

Description, NML Type: stops MIST coolant, 1405

Obs: used, written by emccanon.cc

Written From: MIST_OFF (emccanon.cc) sendMistOff (emcsh.cc)

Read To: emcTaskIssueCommand (emctaskmain.cc)
calls emcCoolantMistOff (iotaskintf.cc)
which sends it to the IO controller,
main (simIoControl.cc ioControl.cc) iosh.cc

Parameter, Type: none

3.10.6 EMC_COOLANT_FLOOD_ON_TYPE

Description, NML Type: starts FLOOD coolant, 1406

Obs: used, written by emccanon.cc

Written From: FLOOD_ON (emccanon.cc) sendFloodOn (emcsh.cc)

Read To: emcTaskIssueCommand (emctaskmain.cc)
calls emcCoolantFloodOn (iotaskintf.cc)
which sends it to the IO controller,
main (simIoControl.cc ioControl.cc) iosh.cc

Parameter, Type: none

3.10.7 EMC_COOLANT_FLOOD_OFF_TYPE

Description, NML Type: stops FLOOD coolant, 1407

Obs: used, written by emccanon.cc

Written From: FLOOD_OFF (emccanon.cc) sendFloodOff (emcsh.cc)

Read To: emcTaskIssueCommand (emctaskmain.cc)
calls emcCoolantFloodOff (iotaskintf.cc)
which sends it to the IO controller,
main (simIoControl.cc ioControl.cc) iosh.cc

Parameter, Type: none

3.10.8 EMC_COOLANT_STAT_TYPE

Description, NML Type: status for coolant, not sent as a message but used as is, 1499

Written From: none

Read To: none

Parameter, Type: [mist, int] [flood, int]

3.11 EMC LUBE

3.11.1 EMC_LUBE_INIT_TYPE

Description, NML Type: initializes the LUBE controller (currently part of the IO controller), 1501

Obs: not written in EMC2, only read, in EMC1 it was sent when TOOL_INIT was sent

Written From: none

Read To: main (ioControl.cc simIoControl.cc)
emc_io_get_command (iosh.cc)

Parameter, Type: none

3.11.2 EMC_LUBE_HALT_TYPE

Description, NML Type: stops the LUBE, 1502

Obs: not written in EMC2, only read, in EMC1 it was sent when TOOL_HALT was sent

Written From: none

Read To: main (ioControl.cc simIoControl.cc)
emc_io_get_command (iosh.cc)

Parameter, Type: none

3.11.3 EMC_LUBE_ABORT_TYPE

Description, NML Type: aborts the LUBE, 1503

Obs: not written in EMC2, only read, in EMC1 it was sent when TOOL_ABORT was sent

Written From: none

Read To: main (ioControl.cc simIoControl.cc)
emc_io_get_command (iosh.cc)

Parameter, Type: none

3.11.4 EMC_LUBE_ON_TYPE

Description, NML Type: starts LUBE, 1504

Obs: written only by the GUIs (emcsh.cc)

Written From: sendLubeOn (emcsh.cc)

Read To: emcTaskIssueCommand (emctaskmain.cc)
calls emcLubeOn (iotaskintf.cc)
which sends it to the IO controller,
main (ioControl.cc simIoControl.cc)
emc_io_get_command (iosh.cc)

Parameter, Type: none

3.11.5 EMC_LUBE_OFF_TYPE

Description, NML Type: stops LUBE, 1505

Obs: written only by the GUIs (emcsh.cc)

Written

From: sendLubeOff (emcsh.cc)

Read To: emcTaskIssueCommand (emctaskmain.cc)
calls emcLubeOff (iotaskintf.cc)
which sends it to the IO controller,
main (ioControl.cc simIoControl.cc)
emc_io_get_command (iosh.cc)

Parameter, Type: none

3.11.6 EMC_LUBE_STAT_TYPE

Description, NML Type: status for LUBE, not sent as a message but used as is, 1599

Written From: none

Read To: none

Parameter, Type: [on, int] [level, int]

3.12 EMC SET

3.12.1 EMC_SET_DIO_INDEX_TYPE

Description, NML Type: , 5001

Obs: not used

Written From: none

Read To: none

Parameter, Type: [value, int] [index, int]

3.12.2 EMC_SET_AIO_INDEX_TYPE

Description, NML Type: , 5002

Obs: not used

Written From: none

Read To: none

Parameter, Type: [value, int] [index, int]

3.12.3 EMC_SET_POLARITY_TYPE

Description, NML Type: , 5003

Obs: not used

Written From: none

Read To: none

Parameter, Type: [value, int] [polarity, int]

3.13 EMC IO

3.13.1 EMC_IO_INIT_TYPE

Description, NML Type: , 1601

Obs: not written in EMC2, only read

Written From: none

Read To: main (ioControl.cc simIoControl.cc)
emc_io_get_command (iosh.cc)

Parameter, Type:

3.13.2 EMC_IO_HALT_TYPE

Description, NML Type: , 1602

Obs: not used

Written From: none

Read To: none

Parameter, Type:

3.13.3 EMC_IO_ABORT_TYPE

Description, NML Type: , 1603

Obs: not used

Written From: none

Read To: none

Parameter, Type:

3.13.4 EMC_IO_SET_CYCLE_TIME_TYPE

Description, NML Type: , 1604

Obs: not used

Written From: none

Read To: none

Parameter, Type: [cycleTime, double]

3.13.5 EMC_IO_STAT_TYPE

Description, NML Type: status for IO, not sent as a message but used as is, 1699

Written From: none

Read To: none Parameter, Type: [heartbeat, unsigned long int] [tool, EMC_TOOL_STAT] [spindle, EMC_SPINDLE_STAT] [coolant, EMC_COOLANT_STAT] [aux, EMC_AUX_STAT] [lube, EMC_LUBE_STAT]

3.14 EMC INIT, HALT, & ABORT

3.14.1 EMC_INIT_TYPE

Description, NML Type: , 1901

Obs: not used

Written From: none

Read To: none

Parameter, Type:

3.14.2 EMC_HALT_TYPE

Description, NML Type: , 1902

Obs: not used

Written From: none

Read To: none

Parameter, Type:

3.14.3 EMC_ABORT_TYPE

Description, NML Type: , 1903

Obs: not used

Written From: none

Read To: none

Parameter, Type:

3.15 EMC LOG

3.15.1 EMC_LOG_OPEN_TYPE

Description, NML Type: opens the log file, 1904

Obs: not used in EMC2, it was used in EMC[1] from emclog.tcl

Written From: sendLogOpen (emcsh.cc)

Read To: emcTaskIssueCommand (emctaskmain.cc)

calls emcLogOpen (taskintf.cc)

which sends EMCMOT_OPEN_LOG Parameter, Type: [file, char[LINELLEN]] [type, int] [size, int] [skip, int] [which, int] [triggerType, int] [triggerVar, int] [triggerThreshold, double]

3.15.2 EMC_LOG_START_TYPE

Description, NML Type: starts logging, 1905

Obs: not used in EMC2, it was used in EMC[1] from emclog.tcl

Written From: sendLogStart (emcsh.cc)

Read To: emcTaskIssueCommand (emctaskmain.cc) calls

emcLogStart (taskintf.cc)

which sends EMCMOT_START_LOG

Parameter, Type: none

3.15.3 EMC_LOG_STOP_TYPE

Description, NML Type: stops logging, 1906

Obs: not used in EMC2, it was used in EMC[1] from emclog.tcl

Written From: sendLogStop (emcsh.cc)

Read To: emcTaskIssueCommand (emctaskmain.cc) calls

emcLogStop (taskintf.cc)

which sends EMCMOT_STOP_LOG

Parameter, Type: none

3.15.4 EMC_LOG_CLOSE_TYPE

Description, NML Type: closes the log file, 1907

Obs: not used in EMC2, it was used in EMC[1] from emclog.tcl

Written From: sendLogClose (emcsh.cc)

Read To: emcTaskIssueCommand (emctaskmain.cc)
calls emcLogClose (taskintf.cc)
which sends EMC_MOT_CLOSE_LOG

Parameter, Type: none

3.16 EMC_STAT

3.16.1 EMC_STAT_TYPE

Description, NML Type: aggregation of all the status messages,
not sent as a message but used as is all over the place, 1999

Written From: none

Read To: none

Parameter, Type: [task, EMC_TASK_STAT]
[motion, EMC_MOTION_STAT]
[io, EMC_IO_STAT]
[logFile, char[LINELLEN]]
[logType, int]
[logSize, int]
[logSkip, int]
logOpen, int] [logStarted, int] [logPoints, int]

Chapter 4

Coding Style

This chapter describes the source code style preferred by the LinuxCNC team.

4.1 Do no harm

When making small edits to code in a style different than the one described below, observe the local coding style. Rapid changes from one coding style to another decrease code readability.

Never check in code after running “indent” on it. The whitespace changes introduced by indent make it more difficult to follow the revision history of the file.

Do not use an editor that makes unneeded changes to whitespace (e.g., which replaces 8 spaces with a tabstop on a line not otherwise modified, or word-wraps lines not otherwise modified)

4.2 Tab Stops

A tab stop always corresponds to 8 spaces. Do not write code that displays correctly only with a differing tab stop setting.

4.3 Indentation

Use 4 spaces per level of indentation. Combining 8 spaces into one tab is acceptable but not required.

4.4 Placing Braces

Put the opening brace last on the line, and put the closing brace first:

```
if (x) {  
    // do something appropriate  
}
```

The closing brace is on a line of its own, except in the cases where it is followed by a continuation of the same statement, i.e. a *while* in a do-statement or an *else* in an if-statement, like this:

```
do {  
    // something important  
} while (x > 0);
```

and

```
if (x == y) {
    // do one thing
} else if (x < y) {
    // do another thing
} else {
    // do a third thing
}
```

This brace-placement also minimizes the number of empty (or almost empty) lines, which allows a greater amount of code or comments to be visible at once in a terminal of a fixed size.

4.5 Naming

C is a Spartan language, and so should your naming be. Unlike Modula-2 and Pascal programmers, C programmers do not use cute names like `ThisVariableIsATemporaryCounter`. A C programmer would call that variable `tmp`, which is much easier to write, and not the least more difficult to understand.

However, descriptive names for global variables are a must. To call a global function `foo` is a shooting offense.

GLOBAL variables (to be used only if you **really** need them) need to have descriptive names, as do global functions. If you have a function that counts the number of active users, you should call that `count_active_users()` or similar, you should **not** call it `cntusr()`.

Encoding the type of a function into the name (so-called Hungarian notation) is brain damaged - the compiler knows the types anyway and can check those, and it only confuses the programmer. No wonder Microsoft makes buggy programs.

LOCAL variable names should be short, and to the point. If you have some random integer loop counter, it should probably be called `i`. Calling it `loop_counter` is non-productive, if there is no chance of it being misunderstood. Similarly, `tmp` can be just about any type of variable that is used to hold a temporary value.

If you are afraid to mix up your local variable names, you have another problem, which is called the function-growth-hormone-imbalance syndrome. See next chapter.

4.6 Functions

Functions should be short and sweet, and do just one thing. They should fit on one or two screenfuls of text (the ISO/ANSI screen size is 80x24, as we all know), and do one thing and do that well.

The maximum length of a function is inversely proportional to the complexity and indentation level of that function. So, if you have a conceptually simple function that is just one long (but simple) case-statement, where you have to do lots of small things for a lot of different cases, it's OK to have a longer function.

However, if you have a complex function, and you suspect that a less-than-gifted first-year high-school student might not even understand what the function is all about, you should adhere to the maximum limits all the more closely. Use helper functions with descriptive names (you can ask the compiler to in-line them if you think it's performance-critical, and it will probably do a better job of it that you would have done).

Another measure of the function is the number of local variables. They shouldn't exceed 5-10, or you're doing something wrong. Re-think the function, and split it into smaller pieces. A human brain can generally easily keep track of about 7 different things, anything more and it gets confused. You know you're brilliant, but maybe you'd like to understand what you did 2 weeks from now.

4.7 Commenting

Comments are good, but there is also a danger of over-commenting. NEVER try to explain HOW your code works in a comment: it's much better to write the code so that the **working** is obvious, and it's a waste of time to explain badly written code.

Generally, you want your comments to tell **WHAT** your code does, not **HOW**. A boxed comment describing the function, return value, and who calls it placed above the body is good. Also, try to avoid putting comments inside a function body: if the function is so complex that you need to separately comment parts of it, you should probably re-read the Functions section again. You can make small comments to note or warn about something particularly clever (or ugly), but try to avoid excess. Instead, put the comments at the head of the function, telling people what it does, and possibly **WHY** it does it.

If comments along the lines of `/* Fix me */` are used, please, please, say why something needs fixing. When a change has been made to the affected portion of code, either remove the comment, or amend it to indicate a change has been made and needs testing.

4.8 Shell Scripts & Makefiles

Not everyone has the same tools and packages installed. Some people use `vi`, others `emacs` - A few even avoid having either package installed, preferring a lightweight text editor such as `nano` or the one built in to `Midnight Commander`.

`gawk` versus `mawk` - Again, not everyone will have `gawk` installed, `mawk` is nearly a tenth of the size and yet conforms to the Posix AWK standard. If some obscure `gawk` specific command is needed that `mawk` does not provide, then the script will break for some users. The same would apply to `mawk`. In short, use the generic `awk` invocation in preference to `gawk` or `mawk`.

4.9 C++ Conventions

C++ coding styles are always likely to end up in heated debates (a bit like the `emacs` versus `vi` arguments). One thing is certain however, a common style used by everyone working on a project leads to uniform and readable code.

Naming conventions: Constants either from `#defines` or enumerations should be in upper case through out. Rationale: Makes it easier to spot compile time constants in the source code. e.g. `EMC_MESSAGE_TYPE`

Classes and Namespaces should capitalize the first letter of each word and avoid underscores. Rationale: Identifies classes, constructors and destructors. e.g. `GtkWidget`

Methods (or function names) should follow the C recommendations above and should not include the class name. Rationale: Maintains a common style across C and C++ sources. e.g. `get_foo_bar()`

However, boolean methods are easier to read if they avoid underscores and use an *is* prefix (not to be confused with methods that manipulate a boolean). Rationale: Identifies the return value as `TRUE` or `FALSE` and nothing else. e.g. `isOpen`, `isHomed`

Do NOT use *Not* in a boolean name, it leads only leads to confusion when doing logical tests. e.g. `isNotOnLimit` or `is_not_on_limit` are BAD.

Variable names should avoid the use of upper case and underscores except for local or private names. The use of global variables should be avoided as much as possible. Rationale: Clarifies which are variables and which are methods. Public: e.g. `axislimit`
Private: e.g. `maxvelocity_`

Specific method naming conventions

The terms `get` and `set` should be used where an attribute is accessed directly. Rationale: Indicates the purpose of the function or method. e.g. `get_foo` `set_bar`

For methods involving boolean attributes, `set` & `reset` is preferred. Rationale: As above. e.g. `set_amp_enable` `reset_amp_fault`

Math intensive methods should use `compute` as a prefix. Rationale: Shows that it is computationally intensive and will hog the CPU. e.g. `compute_PID`

Abbreviations in names should be avoided where possible - The exception is for local variable names. Rationale: Clarity of code. e.g. `pointer` is preferred over `ptr` `compute` is preferred over `cmp` `compare` is again preferred over `cmp`.

Enumerates and other constants can be prefixed by a common type name e.g. `enum COLOR { COLOR_RED, COLOR_BLUE };`

Excessive use of macros and defines should be avoided - Using simple methods or functions is preferred. Rationale: Improves the debugging process.

Include Statements Header files must be included at the top of a source file and not scattered throughout the body. They should be sorted and grouped by their hierarchical position within the system with the low level files included first. Include file paths should NEVER be absolute - Use the compiler -I flag instead. Rationale: Headers may not be in the same place on all systems.

Pointers and references should have their reference symbol next to the variable name rather than the type name. Rationale: Reduces confusion. e.g. `float *x` or `int &i`

Implicit tests for zero should not be used except for boolean variables. e.g. `if (spindle_speed != 0)` NOT `if (spindle_speed)`

Only loop control statements must be included in a `for()` construct. e.g. `sum = 0; for (i = 0; i < 10; i++) { sum += value[i]; }`

NOT `for (i = 0, sum = 0; i < 10; i++) sum += value[i];`

Likewise, executable statements in conditionals must be avoided. e.g. `if (fd = open(file_name))` is bad.

Complex conditional statements should be avoided - Introduce temporary boolean variables instead.

Parentheses should be used in plenty in mathematical expressions - Do not rely on operator precedence when an extra parentheses would clarify things.

File names: C++ sources and headers use `.cc` and `.hh` extension. The use of `.c` and `.h` are reserved for plain C. Headers are for class, method, and structure declarations, not code (unless the functions are declared inline).

4.10 Python coding standards

Use the [PEP 8](#) style for Python code.

4.11 Comp coding standards

In the declaration portion of a `.comp` file, begin each declaration at the first column. Insert extra blank lines when they help group related items.

In the code portion of a `.comp` file, follow normal C coding style.

Chapter 5

Contributing to LinuxCNC

5.1 Introduction

This document contains information for developers about LinuxCNC infrastructure, and describes the best practices for contributing code and documentation updates to the LinuxCNC project.

Throughout this document, "source" means both the source code to the programs and libraries, and the source text for the documentation.

5.2 Communication among LinuxCNC developers

The two main ways that project developers communicate with each other are:

- Via IRC, at #linuxcnc-devel on FreeNode.
- Via email, on the developers' mailing list: <https://lists.sourceforge.net/lists/listinfo/emc-developers>

5.3 The LinuxCNC Source Forge project

We use Source Forge for mailing lists: <http://sourceforge.net/p/emc/mailman/>

5.4 The git Revision Control System

All of the LinuxCNC source is maintained in the revision control system git ¹.

5.4.1 LinuxCNC official git repo

The official LinuxCNC git repo is at <http://git.linuxcnc.org>.

Anyone can get a read-only copy of the LinuxCNC source tree via git:

```
git clone git://git.linuxcnc.org/git/linuxcnc.git linuxcnc-dev
```

If you are a developer with push access, the ssh clone command is:

```
git clone ssh://$YOU@git.linuxcnc.org/git/linuxcnc.git linuxcnc-dev
```

Note that both the clone commands put the local LinuxCNC repo in a directory called `linuxcnc-dev`, instead of the default `linuxcnc`. This is because the LinuxCNC software by default expects configs and G-code programs in a directory called `$HOME/linuxcnc`, and having the git repo there too is confusing.

¹ <http://git-scm.com/>

5.4.2 LinuxCNC on github

There is a regularly updated git clone on github: <https://github.com/LinuxCNC/linuxcnc>

Issues and pull requests are welcome there. <https://github.com/LinuxCNC/linuxcnc/issues> <https://github.com/LinuxCNC/linuxcnc/pulls>

The old sourceforge bug tracker continues to exist in read-only mode: <http://sourceforge.net/p/emc/bugs/>

5.4.3 Use of git in the LinuxCNC project

We use the "merging upwards" and "topic branches" git workflows described here:

<https://www.kernel.org/pub/software/scm/git/docs/gitworkflows.html>

We have a development branch called `master`, and one or more stable branches with names like `2.6` and `2.7` indicating the version number of the releases we make from it.

Bugfixes go in the oldest applicable stable branch, and that branch gets merged into the next newer stable branch, and so on up to `master`. The committer of the bugfix may do the merges themselves, or they may leave the merges for someone else.

New features generally go in the `master` branch, but some kinds of features (specifically well isolated device drivers and documentation) may (at the discretion of the stable branch release managers) go into a stable branch and get merged up just like bugfixes do.

5.4.4 git tutorials

There are many excellent, free git tutorials on the internet.

The first place to look is probably the "gittutorial" manpage. This manpage is accessible by running "man gittutorial" in a terminal (if you have the git manpages installed). The gittutorial and its follow-on documentation are also available online here:

- git tutorial: <https://www.kernel.org/pub/software/scm/git/docs/gittutorial.html>
- git tutorial 2: <https://www.kernel.org/pub/software/scm/git/docs/gittutorial-2.html>
- Everyday git with 20 commands or so: <https://www.kernel.org/pub/software/scm/git/docs/giteveryday.html>
- Git User's Manual: <https://www.kernel.org/pub/software/scm/git/docs/user-manual.html>

For a more thorough documentation of git see the "Pro Git" book: <http://git-scm.com/book>

Another online tutorial that has been recommended is "Git for the Lazy": http://wiki.spheredev.org/Git_for_the_lazy

5.5 Overview of the process

The high-level overview of how to contribute changes to the source goes like this:

- Communicate with the project developers and let us know what you're hacking on
 - Clone the git repo
 - Make your changes in a local branch, making sure you "sign off" your commits according to our signed-off-by policy (see below).
 - Adding documentation and tests is an important part of adding a new feature. Otherwise, others won't know how to use your feature, and if other changes break your feature it can go unnoticed without a test.
 - Share your changes with the other project developers in one of these ways:
-

- Push your branch to github and create a github pull request to <https://github.com/linuxcnc/linuxcnc> (this requires a github account)
- Push your branch to a publicly visible git repo (such as github, bitbucket, your own publicly-accessible server, etc) and share that location on the emc-developers mailing list, or
- Email your commits to the emc-developers mailing list (use `git format-patch` to create the patches)
- Advocate for your patch
 - Explain what problem it addresses and why it should be included in LinuxCNC
 - Be receptive to questions and feedback from the developer community.
 - It is not uncommon for a patch to go through several revisions before it is accepted.

5.6 Signed-off-by policy

To improve tracking of who did what, we use the "sign-off" procedure introduced by the Linux kernel. The sign-off is a simple line at the end of the explanation for the patch, which certifies that you wrote it or otherwise have the right to pass it on as an open-source patch. The rules are pretty simple: if you can certify the Developer's Certificate of Origin 1.1 with GPLv2+ clause, then you just add a line saying

```
Signed-off-by: Random J Developer <random@developer.example.org>
```

This line can be automatically added by git if you run the `git-commit` command with the `-s` option.

For more information, see `docs/SubmittingPatches` and `docs/developer-certificate-of-origin` in the source tree. By policy, commits authored after 2014-09-29 must bear a signed-off-by line or they will be rejected by `git.linuxcnc.org`.

5.7 git configuration

In order to be considered for inclusion in the LinuxCNC source, commits must have correct Author fields identifying the author of the commit. A good way to ensure this is to set your global git config:

```
git config --global user.name "Your full name"
git config --global user.email "you@example.com"
```

Use your real name (not a handle), and use an unobfuscated e-mail address.

5.8 Effective use of git

5.8.1 Commit contents

Keep your commits small and to the point. Each commit should accomplish one logical change to the repo.

5.8.2 Write good commit messages

Keep commit messages around 72 columns wide (so that in a default-size terminal window, they don't wrap when shown by `git log`).

Use the first line as a summary of the intent of the change (almost like the subject line of an e-mail). Follow it with a blank line, then a longer message explaining the change. Example:

```
Get rid of RTAPI_SUCCESS, use 0 instead
```

The test `"retval < 0"` should feel familiar; it's the same kind of test you use in userspace (returns `-1` for error) and in kernel space (returns `-ERRNO` for error)

5.8.3 Commit to the proper branch

Bugfixes should go on the oldest applicable branch. New features should go in the master branch. If you're not sure where a change belongs, ask on irc or on the mailing list.

5.8.4 Use multiple commits to organize changes

When appropriate, organize your changes into a branch (a series of commits) where each commit is a logical step towards your ultimate goal. For example, first factor out some complex code into a new function. Then, in a second commit, fix an underlying bug. Then, in the third commit, add a new feature which is made easier by the refactoring and which would not have worked without fixing that bug.

This is helpful to reviewers, because it is easier to see that the "factor out code into new function" step was right when there aren't other edits mixed in; it's easier to see that the bug is fixed when the change that fixes it is separate from the new feature; and so on.

5.8.5 Follow the style of the surrounding code

Make an effort to follow the prevailing indentation style of surrounding code. In particular, changes to whitespace make it harder for other developers to track changes over time. When reformatting code must be done, do it as a commit separate from any semantic changes.

5.8.6 Simplify complicated history before sharing with fellow developers

With git, it's possible to record every edit and false start as a separate commit. This is very convenient as a way to create checkpoints during development, but often you don't want to share these false starts with others.

Git provides two main ways to clean history, both of which can be done freely before you share the change:

`git commit --amend` lets you make additional changes to the last thing you committed, optionally modifying the commit message as well. Use this if you realized right away that you left something out of the commit, or if you typo'd the commit message.

`git rebase --interactive upstream-branch` lets you go back through each commit made since you forked your feature branch from the upstream branch, possibly editing commits, dropping commits, or squashing (combining) commits with others. Rebase can also be used to split individual commits into multiple new commits.

5.8.7 Make sure every commit builds

If your change consists of several patches, `git rebase -i` may be used to reorder these patches into a sequence of commits which more clearly lays out the steps of your work. A potential consequence of reordering patches is that one might get dependencies wrong - for instance, introducing a use of a variable, and the declaration of that variable only follows in a later patch.

While the branch HEAD will build, not every commit might build in such a case. That breaks `git bisect` - something somebody else might use later on to find the commit which introduced a bug. So beyond making sure your branch builds, it is important to assure every single commit builds as well.

There's an automatic way to check a branch for each commit being buildable - see <http://dustin.sallings.org/2010/03/28/git-test-sequence.html> , and the code at <https://github.com/dustin/bindir/blob/master/git-test-sequence> . Use as follows (in this case testing every commit from origin/master to HEAD, including running regression tests):

```
cd linuxcnc-dev
git-test-sequence origin/master..' (cd src;make;runtests)'
```

This will either report *All's well* or *Broke on <commit>*

5.8.8 Renaming files

Please use the ability to rename files very cautiously. Like running `indent` on single files, renames still make it more difficult to follow changes over time. At a minimum, you should seek consensus on irc or the mailing list that the rename is an improvement.

5.8.9 Prefer "rebase"

Use `git pull --rebase` instead of bare `git pull` in order to keep a nice linear history. When you rebase, you always retain your work as revisions that are ahead of `origin/master`, so you can do things like `git format-patch` them to share with others without pushing to the central repository.

5.9 Other ways to contribute

There are many ways to contribute to LinuxCNC, that are not addressed by this document. These ways include:

- Answering questions on the forum, mailing lists, and in IRC
- Reporting bugs on the bug tracker, forum, mailing lists, or in IRC
- Helping test experimental features

Chapter 6

Glossary

A listing of terms and what they mean. Some terms have a general meaning and several additional meanings for users, installers, and developers.

Acme Screw

A type of lead-screw that uses an Acme thread form. Acme threads have somewhat lower friction and wear than simple triangular threads, but ball-screws are lower yet. Most manual machine tools use acme lead-screws.

Axis

One of the computer controlled movable parts of the machine. For a typical vertical mill, the table is the X axis, the saddle is the Y axis, and the quill or knee is the Z axis. Angular axes like rotary tables are referred to as A, B, and C. Additional linear axes relative to the tool are called U, V, and W respectively.

Axis(GUI)

One of the Graphical User Interfaces available to users of LinuxCNC. It features the modern use of menus and mouse buttons while automating and hiding some of the more traditional LinuxCNC controls. It is the only open-source interface that displays the entire tool path as soon as a file is opened.

Gmoccapy (GUI)

A Graphical User Interfaces available to users of LinuxCNC. It features the use and feel of an industrial control and can be used with touch screen, mouse and keyboard. It support embedded tabs and hal driven user messages, it offers a lot of hal beans to be controlled with hardware. Gmoccapy is highly cusomizable.

Backlash

The amount of "play" or lost motion that occurs when direction is reversed in a lead screw. or other mechanical motion driving system. It can result from nuts that are loose on leadscrews, slippage in belts, cable slack, "wind-up" in rotary couplings, and other places where the mechanical system is not "tight". Backlash will result in inaccurate motion, or in the case of motion caused by external forces (think cutting tool pulling on the work piece) the result can be broken cutting tools. This can happen because of the sudden increase in chip load on the cutter as the work piece is pulled across the backlash distance by the cutting tool.

Backlash Compensation

Any technique that attempts to reduce the effect of backlash without actually removing it from the mechanical system. This is typically done in software in the controller. This can correct the final resting place of the part in motion but fails to solve problems related to direction changes while in motion (think circular interpolation) and motion that is caused when external forces (think cutting tool pulling on the work piece) are the source of the motion.

Ball Screw

A type of lead-screw that uses small hardened steel balls between the nut and screw to reduce friction. Ball-screws have very low friction and backlash, but are usually quite expensive.

Ball Nut

A special nut designed for use with a ball-screw. It contains an internal passage to re-circulate the balls from one end of the screw to the other.

CNC

Computer Numerical Control. The general term used to refer to computer control of machinery. Instead of a human operator turning cranks to move a cutting tool, CNC uses a computer and motors to move the tool, based on a part program.

Comp

A tool used to build, compile and install LinuxCNC HAL components.

Configuration(n)

A directory containing a set of configuration files. Custom configurations are normally saved in the users home/linuxcnc/-configs directory. These files include LinuxCNC's traditional INI file and HAL files. A configuration may also contain several general files that describe tools, parameters, and NML connections.

Configuration(v)

The task of setting up LinuxCNC so that it matches the hardware on a machine tool.

Coordinate Measuring Machine

A Coordinate Measuring Machine is used to make many accurate measurements on parts. These machines can be used to create CAD data for parts where no drawings can be found, when a hand-made prototype needs to be digitized for moldmaking, or to check the accuracy of machined or molded parts.

Display units

The linear and angular units used for onscreen display.

DRO

A Digital Read Out is a system of position-measuring devices attached to the slides of a machine tool, which are connected to a numeric display showing the current location of the tool with respect to some reference position. DROs are very popular on hand-operated machine tools because they measure the true tool position without backlash, even if the machine has very loose Acme screws. Some DROs use linear quadrature encoders to pick up position information from the machine, and some use methods similar to a resolver which keeps rolling over.

EDM

EDM is a method of removing metal in hard or difficult to machine or tough metals, or where rotating tools would not be able to produce the desired shape in a cost-effective manner. An excellent example is rectangular punch dies, where sharp internal corners are desired. Milling operations can not give sharp internal corners with finite diameter tools. A *wire* EDM machine can make internal corners with a radius only slightly larger than the wire's radius. A *sinker* EDM can make internal corners with a radius only slightly larger than the radius on the corner of the sinking electrode.

EMC

The Enhanced Machine Controller. Initially a NIST project. Renamed to LinuxCNC in 2012.

EMCIO

The module within LinuxCNC that handles general purpose I/O, unrelated to the actual motion of the axes.

EMCMOT

The module within LinuxCNC that handles the actual motion of the cutting tool. It runs as a real-time program and directly controls the motors.

Encoder

A device to measure position. Usually a mechanical-optical device, which outputs a quadrature signal. The signal can be counted by special hardware, or directly by the parport with LinuxCNC.

Feed

Relatively slow, controlled motion of the tool used when making a cut.

Feed rate

The speed at which a cutting motion occurs. In auto or mdi mode, feed rate is commanded using an F word. F10 would mean ten machine units per minute.

Feedback

A method (e.g., quadrature encoder signals) by which LinuxCNC receives information about the position of motors

Feedrate Override

A manual, operator controlled change in the rate at which the tool moves while cutting. Often used to allow the operator to adjust for tools that are a little dull, or anything else that requires the feed rate to be “tweaked”.

Floating Point Number

A number that has a decimal point. (12.300) In HAL it is known as float.

G-Code

The generic term used to refer to the most common part programming language. There are several dialects of G-code, LinuxCNC uses RS274/NGC.

GUI

Graphical User Interface.

General

A type of interface that allows communications between a computer and a human (in most cases) via the manipulation of icons and other elements (widgets) on a computer screen.

LinuxCNC

An application that presents a graphical screen to the machine operator allowing manipulation of the machine and the corresponding controlling program.

HAL

Hardware Abstraction Layer. At the highest level, it is simply a way to allow a number of building blocks to be loaded and interconnected to assemble a complex system. Many of the building blocks are drivers for hardware devices. However, HAL can do more than just configure hardware drivers.

Home

A specific location in the machine’s work envelope that is used to make sure the computer and the actual machine both agree on the tool position.

ini file

A text file that contains most of the information that configures LinuxCNC for a particular machine.

Instance

One can have an instance of a class or a particular object. The instance is the actual object created at runtime. In programmer jargon, the Lassie object is an instance of the Dog class.

Joint Coordinates

These specify the angles between the individual joints of the machine. See also Kinematics

Jog

Manually moving an axis of a machine. Jogging either moves the axis a fixed amount for each key-press, or moves the axis at a constant speed as long as you hold down the key. In manual mode, jog speed can be set from the graphical interface.

kernel-space

See real-time.

Kinematics

The position relationship between world coordinates and joint coordinates of a machine. There are two types of kinematics. Forward kinematics is used to calculate world coordinates from joint coordinates. Inverse kinematics is used for exactly the opposite purpose. Note that kinematics does not take into account, the forces, moments etc. on the machine. It is for positioning only.

Lead-screw

An screw that is rotated by a motor to move a table or other part of a machine. Lead-screws are usually either ball-screws or acme screws, although conventional triangular threaded screws may be used where accuracy and long life are not as important as low cost.

Machine units

The linear and angular units used for machine configuration. These units are specified and used in the ini file. HAL pins and parameters are also generally in machine units.

MDI

Manual Data Input. This is a mode of operation where the controller executes single lines of G-code as they are typed by the operator.

NIST

National Institute of Standards and Technology. An agency of the Department of Commerce in the United States.

NML

Neutral Message Language provides a mechanism for handling multiple types of messages in the same buffer as well as simplifying the interface for encoding and decoding buffers in neutral format and the configuration mechanism.

Offsets

An arbitrary amount, added to the value of something to make it equal to some desired value. For example, gcode programs are often written around some convenient point, such as X0, Y0. Fixture offsets can be used to shift the actual execution point of that gcode program to properly fit the true location of the vise and jaws. Tool offsets can be used to shift the "uncorrected" length of a tool to equal that tool's actual length.

Part Program

A description of a part, in a language that the controller can understand. For LinuxCNC, that language is RS-274/NGC, commonly known as G-code.

Program Units

The linear and angular units used in a part program. The linear program units do not have to be the same as the linear machine units. See G20 and G21 for more information. The angular program units are always measured in degrees.

Python

General-purpose, very high-level programming language. Used in LinuxCNC for the Axis GUI, the Stepconf configuration tool, and several G-code programming scripts.

Rapid

Fast, possibly less precise motion of the tool, commonly used to move between cuts. If the tool meets the workpiece or the fixturing during a rapid, it is probably a bad thing!

Rapid rate

The speed at which a rapid motion occurs. In auto or mdi mode, rapid rate is usually the maximum speed of the machine. It is often desirable to limit the rapid rate when testing a g-code program for the first time.

Real-time

Software that is intended to meet very strict timing deadlines. Under Linux, in order to meet these requirements it is necessary to install a realtime kernel such as RTAI and build the software to run in the special real-time environment. For this reason real-time software runs in kernel-space.

RTAI

Real Time Application Interface, see <https://www.rtai.org/>, the real-time extensions for Linux that LinuxCNC can use to achieve real-time performance.

RTLINUX

See <https://en.wikipedia.org/wiki/RTLinux>, an older real-time extension for Linux that LinuxCNC used to use to achieve real-time performance. Obsolete, replaced by RTAI.

RTAPI

A portable interface to real-time operating systems including RTAI and RTLINUX

RS-274/NGC

The formal name for the language used by LinuxCNC part programs.

Servo Motor

Generally, any motor that is used with error-sensing feedback to correct the position of an actuator. Also, a motor which is specially-designed to provide improved performance in such applications.

Servo Loop

A control loop used to control position or velocity of an motor equipped with a feedback device.

Signed Integer

A whole number that can have a positive or negative sign. In HAL it is known as s32. (A signed 32-bit integer has a usable range of -2,147,483,647 to +2,147,483,647.)

Spindle

The part of a machine tool that spins to do the cutting. On a mill or drill, the spindle holds the cutting tool. On a lathe, the spindle holds the workpiece.

Spindle Speed Override

A manual, operator controlled change in the rate at which the tool rotates while cutting. Often used to allow the operator to adjust for chatter caused by the cutter's teeth. Spindle Speed Override assumes that the LinuxCNC software has been configured to control spindle speed.

Stepconf

An LinuxCNC configuration wizard. It is able to handle many step-and-direction motion command based machines. It writes a full configuration after the user answers a few questions about the computer and machine that LinuxCNC is to run on.

Stepper Motor

A type of motor that turns in fixed steps. By counting steps, it is possible to determine how far the motor has turned. If the load exceeds the torque capability of the motor, it will skip one or more steps, causing position errors.

TASK

The module within LinuxCNC that coordinates the overall execution and interprets the part program.

Tcl/Tk

A scripting language and graphical widget toolkit with which several of LinuxCNCs GUIs and selection wizards were written.

Traverse Move

A move in a straight line from the start point to the end point.

Units

See "Machine Units", "Display Units", or "Program Units".

Unsigned Integer

A whole number that has no sign. In HAL it is known as u32. (An unsigned 32-bit integer has a usable range of zero to 4,294,967,296.)

World Coordinates

This is the absolute frame of reference. It gives coordinates in terms of a fixed reference frame that is attached to some point (generally the base) of the machine tool.

Chapter 7

Legal Section

7.1 Copyright Terms

Copyright (c) 2000-2015 LinuxCNC.org

Permission is granted to copy, distribute and/or modify this document under the terms of the GNU Free Documentation License, Version 1.1 or any later version published by the Free Software Foundation; with no Invariant Sections, no Front-Cover Texts, and no Back-Cover Texts. A copy of the license is included in the section entitled "GNU Free Documentation License".

7.2 GNU Free Documentation License

GNU Free Documentation License Version 1.1, March 2000

Copyright © 2000 Free Software Foundation, Inc. 59 Temple Place, Suite 330, Boston, MA 02111-1307 USA Everyone is permitted to copy and distribute verbatim copies of this license document, but changing it is not allowed.

0. PREAMBLE

The purpose of this License is to make a manual, textbook, or other written document "free" in the sense of freedom: to assure everyone the effective freedom to copy and redistribute it, with or without modifying it, either commercially or noncommercially. Secondly, this License preserves for the author and publisher a way to get credit for their work, while not being considered responsible for modifications made by others.

This License is a kind of "copyleft", which means that derivative works of the document must themselves be free in the same sense. It complements the GNU General Public License, which is a copyleft license designed for free software.

We have designed this License in order to use it for manuals for free software, because free software needs free documentation: a free program should come with manuals providing the same freedoms that the software does. But this License is not limited to software manuals; it can be used for any textual work, regardless of subject matter or whether it is published as a printed book. We recommend this License principally for works whose purpose is instruction or reference.

1. APPLICABILITY AND DEFINITIONS

This License applies to any manual or other work that contains a notice placed by the copyright holder saying it can be distributed under the terms of this License. The "Document", below, refers to any such manual or work. Any member of the public is a licensee, and is addressed as "you".

A "Modified Version" of the Document means any work containing the Document or a portion of it, either copied verbatim, or with modifications and/or translated into another language.

A "Secondary Section" is a named appendix or a front-matter section of the Document that deals exclusively with the relationship of the publishers or authors of the Document to the Document's overall subject (or to related matters) and contains nothing that could fall directly within that overall subject. (For example, if the Document is in part a textbook of mathematics, a Secondary

Section may not explain any mathematics.) The relationship could be a matter of historical connection with the subject or with related matters, or of legal, commercial, philosophical, ethical or political position regarding them.

The "Invariant Sections" are certain Secondary Sections whose titles are designated, as being those of Invariant Sections, in the notice that says that the Document is released under this License.

The "Cover Texts" are certain short passages of text that are listed, as Front-Cover Texts or Back-Cover Texts, in the notice that says that the Document is released under this License.

A "Transparent" copy of the Document means a machine-readable copy, represented in a format whose specification is available to the general public, whose contents can be viewed and edited directly and straightforwardly with generic text editors or (for images composed of pixels) generic paint programs or (for drawings) some widely available drawing editor, and that is suitable for input to text formatters or for automatic translation to a variety of formats suitable for input to text formatters. A copy made in an otherwise Transparent file format whose markup has been designed to thwart or discourage subsequent modification by readers is not Transparent. A copy that is not "Transparent" is called "Opaque".

Examples of suitable formats for Transparent copies include plain ASCII without markup, Texinfo input format, LaTeX input format, SGML or XML using a publicly available DTD, and standard-conforming simple HTML designed for human modification. Opaque formats include PostScript, PDF, proprietary formats that can be read and edited only by proprietary word processors, SGML or XML for which the DTD and/or processing tools are not generally available, and the machine-generated HTML produced by some word processors for output purposes only.

The "Title Page" means, for a printed book, the title page itself, plus such following pages as are needed to hold, legibly, the material this License requires to appear in the title page. For works in formats which do not have any title page as such, "Title Page" means the text near the most prominent appearance of the work's title, preceding the beginning of the body of the text.

2. VERBATIM COPYING

You may copy and distribute the Document in any medium, either commercially or noncommercially, provided that this License, the copyright notices, and the license notice saying this License applies to the Document are reproduced in all copies, and that you add no other conditions whatsoever to those of this License. You may not use technical measures to obstruct or control the reading or further copying of the copies you make or distribute. However, you may accept compensation in exchange for copies. If you distribute a large enough number of copies you must also follow the conditions in section 3.

You may also lend copies, under the same conditions stated above, and you may publicly display copies.

3. COPYING IN QUANTITY

If you publish printed copies of the Document numbering more than 100, and the Document's license notice requires Cover Texts, you must enclose the copies in covers that carry, clearly and legibly, all these Cover Texts: Front-Cover Texts on the front cover, and Back-Cover Texts on the back cover. Both covers must also clearly and legibly identify you as the publisher of these copies. The front cover must present the full title with all words of the title equally prominent and visible. You may add other material on the covers in addition. Copying with changes limited to the covers, as long as they preserve the title of the Document and satisfy these conditions, can be treated as verbatim copying in other respects.

If the required texts for either cover are too voluminous to fit legibly, you should put the first ones listed (as many as fit reasonably) on the actual cover, and continue the rest onto adjacent pages.

If you publish or distribute Opaque copies of the Document numbering more than 100, you must either include a machine-readable Transparent copy along with each Opaque copy, or state in or with each Opaque copy a publicly-accessible computer-network location containing a complete Transparent copy of the Document, free of added material, which the general network-using public has access to download anonymously at no charge using public-standard network protocols. If you use the latter option, you must take reasonably prudent steps, when you begin distribution of Opaque copies in quantity, to ensure that this Transparent copy will remain thus accessible at the stated location until at least one year after the last time you distribute an Opaque copy (directly or through your agents or retailers) of that edition to the public.

It is requested, but not required, that you contact the authors of the Document well before redistributing any large number of copies, to give them a chance to provide you with an updated version of the Document.

4. MODIFICATIONS

You may copy and distribute a Modified Version of the Document under the conditions of sections 2 and 3 above, provided that you release the Modified Version under precisely this License, with the Modified Version filling the role of the Document, thus licensing distribution and modification of the Modified Version to whoever possesses a copy of it. In addition, you must do these things in the Modified Version:

- A. Use in the Title Page (and on the covers, if any) a title distinct from that of the Document, and from those of previous versions (which should, if there were any, be listed in the History section of the Document). You may use the same title as a previous version if the original publisher of that version gives permission. B. List on the Title Page, as authors, one or more persons or entities responsible for authorship of the modifications in the Modified Version, together with at least five of the principal authors of the Document (all of its principal authors, if it has less than five). C. State on the Title page the name of the publisher of the Modified Version, as the publisher. D. Preserve all the copyright notices of the Document. E. Add an appropriate copyright notice for your modifications adjacent to the other copyright notices. F. Include, immediately after the copyright notices, a license notice giving the public permission to use the Modified Version under the terms of this License, in the form shown in the Addendum below. G. Preserve in that license notice the full lists of Invariant Sections and required Cover Texts given in the Document's license notice. H. Include an unaltered copy of this License. I. Preserve the section entitled "History", and its title, and add to it an item stating at least the title, year, new authors, and publisher of the Modified Version as given on the Title Page. If there is no section entitled "History" in the Document, create one stating the title, year, authors, and publisher of the Document as given on its Title Page, then add an item describing the Modified Version as stated in the previous sentence. J. Preserve the network location, if any, given in the Document for public access to a Transparent copy of the Document, and likewise the network locations given in the Document for previous versions it was based on. These may be placed in the "History" section. You may omit a network location for a work that was published at least four years before the Document itself, or if the original publisher of the version it refers to gives permission. K. In any section entitled "Acknowledgements" or "Dedications", preserve the section's title, and preserve in the section all the substance and tone of each of the contributor acknowledgements and/or dedications given therein. L. Preserve all the Invariant Sections of the Document, unaltered in their text and in their titles. Section numbers or the equivalent are not considered part of the section titles. M. Delete any section entitled "Endorsements". Such a section may not be included in the Modified Version. N. Do not retitle any existing section as "Endorsements" or to conflict in title with any Invariant Section.

If the Modified Version includes new front-matter sections or appendices that qualify as Secondary Sections and contain no material copied from the Document, you may at your option designate some or all of these sections as invariant. To do this, add their titles to the list of Invariant Sections in the Modified Version's license notice. These titles must be distinct from any other section titles.

You may add a section entitled "Endorsements", provided it contains nothing but endorsements of your Modified Version by various parties—for example, statements of peer review or that the text has been approved by an organization as the authoritative definition of a standard.

You may add a passage of up to five words as a Front-Cover Text, and a passage of up to 25 words as a Back-Cover Text, to the end of the list of Cover Texts in the Modified Version. Only one passage of Front-Cover Text and one of Back-Cover Text may be added by (or through arrangements made by) any one entity. If the Document already includes a cover text for the same cover, previously added by you or by arrangement made by the same entity you are acting on behalf of, you may not add another; but you may replace the old one, on explicit permission from the previous publisher that added the old one.

The author(s) and publisher(s) of the Document do not by this License give permission to use their names for publicity for or to assert or imply endorsement of any Modified Version.

5. COMBINING DOCUMENTS

You may combine the Document with other documents released under this License, under the terms defined in section 4 above for modified versions, provided that you include in the combination all of the Invariant Sections of all of the original documents, unmodified, and list them all as Invariant Sections of your combined work in its license notice.

The combined work need only contain one copy of this License, and multiple identical Invariant Sections may be replaced with a single copy. If there are multiple Invariant Sections with the same name but different contents, make the title of each such section unique by adding at the end of it, in parentheses, the name of the original author or publisher of that section if known, or else a unique number. Make the same adjustment to the section titles in the list of Invariant Sections in the license notice of the combined work.

In the combination, you must combine any sections entitled "History" in the various original documents, forming one section entitled "History"; likewise combine any sections entitled "Acknowledgements", and any sections entitled "Dedications". You must delete all sections entitled "Endorsements."

6. COLLECTIONS OF DOCUMENTS

You may make a collection consisting of the Document and other documents released under this License, and replace the individual copies of this License in the various documents with a single copy that is included in the collection, provided that you follow the rules of this License for verbatim copying of each of the documents in all other respects.

You may extract a single document from such a collection, and distribute it individually under this License, provided you insert a copy of this License into the extracted document, and follow this License in all other respects regarding verbatim copying of that document.

7. AGGREGATION WITH INDEPENDENT WORKS

A compilation of the Document or its derivatives with other separate and independent documents or works, in or on a volume of a storage or distribution medium, does not as a whole count as a Modified Version of the Document, provided no compilation copyright is claimed for the compilation. Such a compilation is called an "aggregate", and this License does not apply to the other self-contained works thus compiled with the Document, on account of their being thus compiled, if they are not themselves derivative works of the Document.

If the Cover Text requirement of section 3 is applicable to these copies of the Document, then if the Document is less than one quarter of the entire aggregate, the Document's Cover Texts may be placed on covers that surround only the Document within the aggregate. Otherwise they must appear on covers around the whole aggregate.

8. TRANSLATION

Translation is considered a kind of modification, so you may distribute translations of the Document under the terms of section 4. Replacing Invariant Sections with translations requires special permission from their copyright holders, but you may include translations of some or all Invariant Sections in addition to the original versions of these Invariant Sections. You may include a translation of this License provided that you also include the original English version of this License. In case of a disagreement between the translation and the original English version of this License, the original English version will prevail.

9. TERMINATION

You may not copy, modify, sublicense, or distribute the Document except as expressly provided for under this License. Any other attempt to copy, modify, sublicense or distribute the Document is void, and will automatically terminate your rights under this License. However, parties who have received copies, or rights, from you under this License will not have their licenses terminated so long as such parties remain in full compliance.

10. FUTURE REVISIONS OF THIS LICENSE

The Free Software Foundation may publish new, revised versions of the GNU Free Documentation License from time to time. Such new versions will be similar in spirit to the present version, but may differ in detail to address new problems or concerns. See <http://www.gnu.org/copyleft/>.

Each version of the License is given a distinguishing version number. If the Document specifies that a particular numbered version of this License "or any later version" applies to it, you have the option of following the terms and conditions either of that specified version or of any later version that has been published (not as a draft) by the Free Software Foundation. If the Document does not specify a version number of this License, you may choose any version ever published (not as a draft) by the Free Software Foundation.

ADDENDUM: How to use this License for your documents

To use this License in a document you have written, include a copy of the License in the document and put the following copyright and license notices just after the title page:

Copyright (c) YEAR YOUR NAME. Permission is granted to copy, distribute and/or modify this document under the terms of the GNU Free Documentation License, Version 1.1 or any later version published by the Free Software Foundation; with the Invariant Sections being LIST THEIR TITLES, with the Front-Cover Texts being LIST, and with the Back-Cover Texts being LIST. A copy of the license is included in the section entitled "GNU Free Documentation License".

If you have no Invariant Sections, write "with no Invariant Sections" instead of saying which ones are invariant. If you have no Front-Cover Texts, write "no Front-Cover Texts" instead of "Front-Cover Texts being LIST"; likewise for Back-Cover Texts.

If your document contains nontrivial examples of program code, we recommend releasing these examples in parallel under your choice of free software license, such as the GNU General Public License, to permit their use in free software.

Chapter 8

Index

A

acme screw, [68](#)
axis, [68](#)

B

backlash, [68](#)
backlash compensation, [68](#)
ball nut, [68](#)
ball screw, [68](#)

C

CNC, [69](#)
comp, [69](#)
coordinate measuring machine, [69](#)

D

display units, [69](#)
DRO, [69](#)

E

EDM, [69](#)
EMC, [69](#)
EMCIO, [69](#)
EMCMOT, [69](#)
encoder, [69](#)

F

feed, [69](#)
feed rate, [69](#)
feedback, [69](#)
feedrate override, [70](#)

G

G-Code, [70](#)
GUI, [68](#), [70](#)

H

HAL, [70](#)
home, [70](#)

I

INI, [70](#)
Instance, [70](#)

J

jog, [70](#)
joint coordinates, [70](#)

K

kinematics, [70](#)

L

lead screw, [70](#)
loop, [71](#)

M

machine units, [70](#)
MDI, [71](#)

N

NIST, [71](#)
NML, [71](#)

O

offsets, [71](#)

P

part Program, [71](#)
program units, [71](#)

R

rapid, [71](#)
rapid rate, [71](#)
real-time, [71](#)
RS274NGC, [71](#)
RTAI, [71](#)
RTAPI, [71](#)
RTLINUX, [71](#)

S

servo motor, [71](#)
Signed Integer, [72](#)
spindle, [72](#)
stepper motor, [72](#)

T

TASK, [72](#)
Tk, [72](#)
Traverse Move, [72](#)

U

units, [72](#)

Unsigned Integer, [72](#)

W

world coordinates, [72](#)
