

V2.4 Developers Handbook

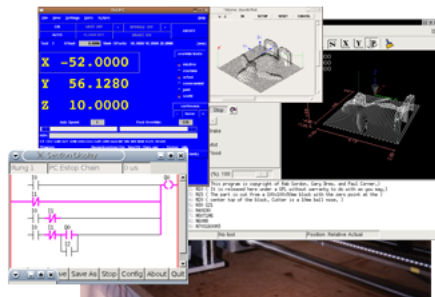
The EMC Team

November 16, 2010



EMC²

The Enhanced Machine Controller



www.linuxcnc.org

This handbook is a work in progress. If you are able to help with writing, editing, or graphic preparation please contact any member of the writing team or join and send an email to emc-users@lists.sourceforge.net.

Copyright (c) 2000-7 LinuxCNC.org

Permission is granted to copy, distribute and/or modify this document under the terms of the GNU Free Documentation License, Version 1.1 or any later version published by the Free Software Foundation; with no Invariant Sections, no Front-Cover Texts, and one Back-Cover Text: "This EMC Handbook is the product of several authors writing for linuxCNC.org. As you find it to be of value in your work, we invite you to contribute to its revision and growth." A copy of the license is included in the section entitled "GNU Free Documentation License". If you do not find the license you may order a copy from Free Software Foundation, Inc. 59 Temple Place, Suite 330 Boston, MA 02111-1307

Contents

- Cover** **i**

- I EMC2 Code Notes** **1**

- 1 Introduction** **2**
 - 1.1 Intended audience 2
 - 1.2 Organization 2

- 2 Overview of EMC2** **3**
 - 2.1 Terms and definitions 3
 - 2.2 Architecture overview 3

- 3 Motion Controller** **5**
 - 3.1 Introduction 5
 - 3.2 Block diagrams and Data Flow 5
 - 3.3 Commands 7
 - 3.3.1 ABORT 7
 - 3.3.1.1 Requirements 7
 - 3.3.1.2 Results 7
 - 3.3.2 FREE 8
 - 3.3.2.1 Requirements 8
 - 3.3.2.2 Results 8
 - 3.3.3 TELEOP 8
 - 3.3.3.1 Requirements 8
 - 3.3.3.2 Results 8
 - 3.3.4 COORD 9
 - 3.3.4.1 Requirements 9
 - 3.3.4.2 Results 9
 - 3.3.5 ENABLE 9
 - 3.3.5.1 Requirements 9
 - 3.3.5.2 Results 9

3.3.6	DISABLE	9
	3.3.6.1 Requirements	9
	3.3.6.2 Results	10
3.3.7	ENABLE_AMPLIFIER	10
	3.3.7.1 Requirements	10
	3.3.7.2 Results	10
3.3.8	DISABLE_AMPLIFIER	10
	3.3.8.1 Requirements	10
	3.3.8.2 Results	10
3.3.9	ACTIVATE_JOINT	10
	3.3.9.1 Requirements	10
	3.3.9.2 Results	10
3.3.10	DEACTIVATE_JOINT	11
	3.3.10.1 Requirements	11
	3.3.10.2 Results	11
3.3.11	ENABLE_WATCHDOG	11
	3.3.11.1 Requirements	11
	3.3.11.2 Results	11
3.3.12	DISABLE_WATCHDOG	11
	3.3.12.1 Requirements	11
	3.3.12.2 Results	11
3.3.13	PAUSE	11
	3.3.13.1 Requirements	12
	3.3.13.2 Results	12
3.3.14	RESUME	12
	3.3.14.1 Requirements	12
	3.3.14.2 Results	12
3.3.15	STEP	12
	3.3.15.1 Requirements	12
	3.3.15.2 Results	12
3.3.16	SCALE	12
	3.3.16.1 Requirements	12
	3.3.16.2 Results	13
3.3.17	OVERRIDE_LIMITS	13
	3.3.17.1 Requirements	13
	3.3.17.2 Results	13
3.3.18	HOME	13
	3.3.18.1 Requirements	13

3.3.18.2	Results	13
3.3.19	JOG_CONT	13
3.3.19.1	Requirements	13
3.3.19.2	Results	14
3.3.20	JOG_INCR	14
3.3.20.1	Requirements	14
3.3.20.2	Results	14
3.3.21	JOG_ABS	14
3.3.21.1	Requirements	14
3.3.21.2	Results	14
3.3.22	SET_LINE	15
3.3.23	SET_CIRCLE	15
3.3.24	SET_TELEOP_VECTOR	15
3.3.25	PROBE	15
3.3.26	CLEAR_PROBE_FLAG	15
3.3.27	SET_xix	15
3.4	Homing	16
3.4.1	Overview	16
3.4.2	Homing Sequence	16
3.4.3	Configuration	16
3.4.3.1	home_search_vel	16
3.4.3.2	home_latch_vel	16
3.4.3.3	home_final_vel	18
3.4.3.4	home_ignore_limits	18
3.4.3.5	home_use_index	18
3.4.3.6	home_offset	18
3.4.3.7	home	18
3.5	Backlash and Screw Error Compensation	19
4	Task controller (EMCTASK)	20
5	IO controller (EMCIO)	21
6	User Interfaces	22
7	libnml	23
7.1	Introduction	23
7.2	LinkedList	23
7.3	LinkedListNode	23
7.4	SharedMemory	23
7.5	ShmBuffer	23
7.6	Timer	24
7.7	Semaphore	24
7.8	CMS	24

8	NML Notes /* FIX ME */	26
8.1	Configuration file format	26
8.1.1	Buffer line	26
8.1.2	Type specific configs	27
8.1.3	Process line	27
8.1.4	Configuration Comments	28
8.2	NML base class /* FIX ME */	28
8.2.1	NML internals	29
8.2.1.1	NML constructor	29
8.2.1.2	NML read/write	29
8.2.1.3	NMLmsg and NML relationships	29
8.3	Adding custom NML commands	29
II	NML Messages	31
9	NML Messages	32
9.1	EMC OPERATOR	32
9.1.1	EMC_OPERATOR_ERROR_TYPE	32
9.1.2	EMC_OPERATOR_TEXT_TYPE	32
9.1.3	EMC_OPERATOR_DISPLAY_TYPE	32
9.2	EMC NULL, SET, DEBUG, & SYSTEM	32
9.2.1	EMC_NULL_TYPE	32
9.2.2	EMC_SET_DEBUG_TYPE	33
9.2.3	EMC_SYSTEM_CMD_TYPE	33
9.3	EMC AXIS	33
9.3.1	EMC_AXIS_SET_AXIS_TYPE	33
9.3.2	EMC_AXIS_SET_UNITS_TYPE	33
9.3.3	EMC_AXIS_SET_GAINS_TYPE	33
9.3.4	EMC_AXIS_SET_CYCLE_TIME_TYPE	34
9.3.5	EMC_AXIS_SET_INPUT_SCALE_TYPE	34
9.3.6	EMC_AXIS_SET_OUTPUT_SCALE_TYPE	34
9.3.7	EMC_AXIS_SET_MIN_POSITION_LIMIT_TYPE	34
9.3.8	EMC_AXIS_SET_MAX_POSITION_LIMIT_TYPE	34
9.3.9	EMC_AXIS_SET_MIN_OUTPUT_LIMIT_TYPE	35
9.3.10	EMC_AXIS_SET_MAX_OUTPUT_LIMIT_TYPE	35
9.3.11	EMC_AXIS_SET_FERROR_TYPE	35
9.3.12	EMC_AXIS_SET_HOMING_VEL_TYPE	35
9.3.13	EMC_AXIS_SET_HOME_TYPE	35
9.3.14	EMC_AXIS_SET_HOME_OFFSET_TYPE	36

9.3.15	EMC_AXIS_SET_MIN_FERROR_TYPE	36
9.3.16	EMC_AXIS_SET_MAX_VELOCITY_TYPE	36
9.3.17	EMC_AXIS_INIT_TYPE	36
9.3.18	EMC_AXIS_HALT_TYPE	36
9.3.19	EMC_AXIS_ABORT_TYPE	37
9.3.20	EMC_AXIS_ENABLE_TYPE	37
9.3.21	EMC_AXIS_DISABLE_TYPE	37
9.3.22	EMC_AXIS_HOME_TYPE	37
9.3.23	EMC_AXIS_JOG_TYPE	37
9.3.24	EMC_AXIS_INCR_JOG_TYPE	38
9.3.25	EMC_AXIS_ABS_JOG_TYPE	38
9.3.26	EMC_AXIS_ACTIVATE_TYPE	38
9.3.27	EMC_AXIS_DEACTIVATE_TYPE	38
9.3.28	EMC_AXIS_OVERRIDE_LIMITS_TYPE	38
9.3.29	EMC_AXIS_SET_OUTPUT_TYPE	39
9.3.30	EMC_AXIS_LOAD_COMP_TYPE	39
9.3.31	EMC_AXIS_ALTER_TYPE	39
9.3.32	EMC_AXIS_SET_STEP_PARAMS_TYPE	39
9.3.33	EMC_AXIS_STAT_TYPE	39
9.4	EMC TRAJ	40
9.4.1	EMC_TRAJ_SET_AXES_TYPE	40
9.4.2	EMC_TRAJ_SET_UNITS_TYPE	40
9.4.3	EMC_TRAJ_SET_CYCLE_TIME_TYPE	40
9.4.4	EMC_TRAJ_SET_MODE_TYPE	40
9.4.5	EMC_TRAJ_SET_VELOCITY_TYPE	40
9.4.6	EMC_TRAJ_SET_ACCELERATION_TYPE	41
9.4.7	EMC_TRAJ_SET_MAX_VELOCITY_TYPE	41
9.4.8	EMC_TRAJ_SET_MAX_ACCELERATION_TYPE	41
9.4.9	EMC_TRAJ_SET_SCALE_TYPE	41
9.4.10	EMC_TRAJ_SET_MOTION_ID_TYPE	41
9.4.11	EMC_TRAJ_INIT_TYPE	42
9.4.12	EMC_TRAJ_HALT_TYPE	42
9.4.13	EMC_TRAJ_ENABLE_TYPE	42
9.4.14	EMC_TRAJ_DISABLE_TYPE	42
9.4.15	EMC_TRAJ_ABORT_TYPE	42
9.4.16	EMC_TRAJ_PAUSE_TYPE	43
9.4.17	EMC_TRAJ_STEP_TYPE	43
9.4.18	EMC_TRAJ_RESUME_TYPE	43

9.4.19	EMC_TRAJ_DELAY_TYPE	43
9.4.20	EMC_TRAJ_LINEAR_MOVE_TYPE	43
9.4.21	EMC_TRAJ_CIRCULAR_MOVE_TYPE	44
9.4.22	EMC_TRAJ_SET_TERM_COND_TYPE	44
9.4.23	EMC_TRAJ_SET_OFFSET_TYPE	44
9.4.24	EMC_TRAJ_SET_ORIGIN_TYPE	44
9.4.25	EMC_TRAJ_SET_HOME_TYPE	44
9.4.26	EMC_TRAJ_SET_PROBE_INDEX_TYPE	45
9.4.27	EMC_TRAJ_SET_PROBE_POLARITY_TYPE	45
9.4.28	EMC_TRAJ_CLEAR_PROBE_TRIPPED_FLAG_TYPE	45
9.4.29	EMC_TRAJ_PROBE_TYPE	45
9.4.30	EMC_TRAJ_SET_TELEOP_ENABLE_TYPE	45
9.4.31	EMC_TRAJ_SET_TELEOP_VECTOR_TYPE	46
9.4.32	EMC_TRAJ_STAT_TYPE	46
9.5	EMC MOTION	46
9.5.1	EMC_MOTION_INIT_TYPE	46
9.5.2	EMC_MOTION_HALT_TYPE	46
9.5.3	EMC_MOTION_ABORT_TYPE	46
9.5.4	EMC_MOTION_SET_AOUT_TYPE	47
9.5.5	EMC_MOTION_SET_DOUT_TYPE	47
9.5.6	EMC_MOTION_STAT_TYPE	47
9.6	EMC TASK	47
9.6.1	EMC_TASK_INIT_TYPE	47
9.6.2	EMC_TASK_HALT_TYPE	47
9.6.3	EMC_TASK_ABORT_TYPE	48
9.6.4	EMC_TASK_SET_MODE_TYPE	48
9.6.5	EMC_TASK_SET_STATE_TYPE	48
9.6.6	EMC_TASK_PLAN_OPEN_TYPE	48
9.6.7	EMC_TASK_PLAN_RUN_TYPE	48
9.6.8	EMC_TASK_PLAN_READ_TYPE	48
9.6.9	EMC_TASK_PLAN_EXECUTE_TYPE	49
9.6.10	EMC_TASK_PLAN_PAUSE_TYPE	49
9.6.11	EMC_TASK_PLAN_STEP_TYPE	49
9.6.12	EMC_TASK_PLAN_RESUME_TYPE	49
9.6.13	EMC_TASK_PLAN_END_TYPE	49
9.6.14	EMC_TASK_PLAN_CLOSE_TYPE	49
9.6.15	EMC_TASK_PLAN_INIT_TYPE	50
9.6.16	EMC_TASK_PLAN_SYNCH_TYPE	50

9.6.17	EMC_TASK_STAT_TYPE	50
9.7	EMC TOOL	50
9.7.1	EMC_TOOL_INIT_TYPE	50
9.7.2	EMC_TOOL_HALT_TYPE	50
9.7.3	EMC_TOOL_ABORT_TYPE	51
9.7.4	EMC_TOOL_PREPARE_TYPE	51
9.7.5	EMC_TOOL_LOAD_TYPE	51
9.7.6	EMC_TOOL_UNLOAD_TYPE	51
9.7.7	EMC_TOOL_LOAD_TOOL_TABLE_TYPE	51
9.7.8	EMC_TOOL_SET_OFFSET_TYPE	52
9.7.9	EMC_TOOL_STAT_TYPE	52
9.8	EMC AUX	52
9.8.1	EMC_AUX_INIT_TYPE	52
9.8.2	EMC_AUX_HALT_TYPE	52
9.8.3	EMC_AUX_ABORT_TYPE	52
9.8.4	EMC_AUX_DIO_WRITE_TYPE	52
9.8.5	EMC_AUX_AIO_WRITE_TYPE	53
9.8.6	EMC_AUX_ESTOP_ON_TYPE	53
9.8.7	EMC_AUX_ESTOP_OFF_TYPE	53
9.8.8	EMC_AUX_STAT_TYPE	53
9.9	EMC SPINDLE	53
9.9.1	EMC_SPINDLE_INIT_TYPE	53
9.9.2	EMC_SPINDLE_HALT_TYPE	53
9.9.3	EMC_SPINDLE_ABORT_TYPE	54
9.9.4	EMC_SPINDLE_ON_TYPE	54
9.9.5	EMC_SPINDLE_OFF_TYPE	54
9.9.6	EMC_SPINDLE_FORWARD_TYPE	54
9.9.7	EMC_SPINDLE_REVERSE_TYPE	54
9.9.8	EMC_SPINDLE_STOP_TYPE	54
9.9.9	EMC_SPINDLE_INCREASE_TYPE	55
9.9.10	EMC_SPINDLE_DECREASE_TYPE	55
9.9.11	EMC_SPINDLE_CONSTANT_TYPE	55
9.9.12	EMC_SPINDLE_BRAKE_RELEASE_TYPE	55
9.9.13	EMC_SPINDLE_BRAKE_ENGAGE_TYPE	55
9.9.14	EMC_SPINDLE_ENABLE_TYPE	55
9.9.15	EMC_SPINDLE_DISABLE_TYPE	56
9.9.16	EMC_SPINDLE_STAT_TYPE	56
9.10	EMC COOLANT	56

9.10.1	EMC_COOLANT_INIT_TYPE	56
9.10.2	EMC_COOLANT_HALT_TYPE	56
9.10.3	EMC_COOLANT_ABORT_TYPE	56
9.10.4	EMC_COOLANT_MIST_ON_TYPE	57
9.10.5	EMC_COOLANT_MIST_OFF_TYPE	57
9.10.6	EMC_COOLANT_FLOOD_ON_TYPE	57
9.10.7	EMC_COOLANT_FLOOD_OFF_TYPE	57
9.10.8	EMC_COOLANT_STAT_TYPE	57
9.11	EMC LUBE	58
9.11.1	EMC_LUBE_INIT_TYPE	58
9.11.2	EMC_LUBE_HALT_TYPE	58
9.11.3	EMC_LUBE_ABORT_TYPE	58
9.11.4	EMC_LUBE_ON_TYPE	58
9.11.5	EMC_LUBE_OFF_TYPE	58
9.11.6	EMC_LUBE_STAT_TYPE	59
9.12	EMC SET	59
9.12.1	EMC_SET_DIO_INDEX_TYPE	59
9.12.2	EMC_SET_AIO_INDEX_TYPE	59
9.12.3	EMC_SET_POLARITY_TYPE	59
9.13	EMC IO	59
9.13.1	EMC_IO_INIT_TYPE	59
9.13.2	EMC_IO_HALT_TYPE	60
9.13.3	EMC_IO_ABORT_TYPE	60
9.13.4	EMC_IO_SET_CYCLE_TIME_TYPE	60
9.13.5	EMC_IO_STAT_TYPE	60
9.14	EMC INIT, HALT, & ABORT	60
9.14.1	EMC_INIT_TYPE	60
9.14.2	EMC_HALT_TYPE	61
9.14.3	EMC_ABORT_TYPE	61
9.15	EMC LOG	61
9.15.1	EMC_LOG_OPEN_TYPE	61
9.15.2	EMC_LOG_START_TYPE	61
9.15.3	EMC_LOG_STOP_TYPE	61
9.15.4	EMC_LOG_CLOSE_TYPE	62
9.16	EMC STAT	62
9.16.1	EMC_STAT_TYPE	62

III Coding Style Guide	63
A Coding Style	64
A.1 Do no harm	64
A.2 Tab Stops	64
A.3 Indentation	64
A.4 Placing Braces	64
A.5 Naming	65
A.6 Functions	65
A.7 Commenting	66
A.8 Shell Scripts & Makefiles	66
A.9 C++ Conventions	66
A.10 Python coding standards	67
A.11 Comp coding standards	68
IV Glossary	69
B Glossary	70
C Legal Section	74
D Legal Section	75
D.1 Copyright Terms	75
D.2 GNU Free Documentation License	75

Part I

EMC2 Code Notes

Chapter 1

Introduction

1.1 Intended audience

This document is a collection of notes about the internals of EMC2. It is primarily of interest to developers, however much of the information here may also be of interest to system integrators and others who are simply curious about how EMC2 works. Much of this information is now outdated and has never been reviewed for accuracy.

1.2 Organization

There will be a chapter for each of the major components of EMC2, as well as chapter(s) covering how they work together. This document is very much a work in progress, and it's layout may change in the future.

Chapter 2

Overview of EMC2

2.1 Terms and definitions

AXIS An axis is one of the six degrees of freedom that define a tool position in three dimensional Cartesian space. Those axes are X, Y, Z, A, B, and C, where X, Y, and Z are linear coordinates that determine where the tip of the tool is, and A, B, and C are angular coordinates that determine the tool orientation. Unfortunately “axis” is also sometimes used to mean a degree of freedom of the machine itself, such as the saddle, table, or quill of a Bridgeport type milling machine. On a Bridgeport this causes no confusion, since movement of the table directly corresponds to movement along the X axis. However, the shoulder and elbow joints of a robot arm and the linear actuators of a hexapod do not correspond to movement along any Cartesian axis, and in general it is important to make the distinction between the Cartesian axes and the machine degrees of freedom. In this document, the latter will be called “joints”, not axes. (The GUIs and some other parts of the code may not always follow this distinction, but the internals of the motion controller do.)

JOINT A joint is one of the movable parts of the machine. Joints are distinct from axes, although the two terms are sometimes (mis)used to mean the same thing. In EMC2, a joint is a physical thing that can be moved, not a coordinate in space. For example, the quill, knee, saddle, and table of a Bridgeport mill are all joints. The shoulder, elbow, and wrist of a robot arm are joints, as are the linear actuators of a hexapod. Every joint has a motor or actuator of some type associated with it. Joints do not necessarily correspond to the X, Y, and Z axes, although for machines with trivial kinematics that may be the case. Even on those machines, joint position and axis position are fundamentally different things. In this document, the terms “joint” and “axis” are used carefully to respect their distinct meanings. Unfortunately that isn’t necessarily true everywhere else. In particular, GUIs for machines with trivial kinematics may gloss over or completely hide the distinction between joints and axes. In addition, the ini file uses the term “axis” for data that would more accurately be described as joint data, such as input and output scaling, etc.

POSE A pose is a fully specified position in 3-D Cartesian space. In the EMC2 motion controller, when we refer to a pose we mean an EmcPose structure, containing three linear coordinates and three angular ones.

2.2 Architecture overview

There are four components contained in the EMC2 Architecture: a motion controller (EMCMOT), a discrete IO controller (EMCIO), a task executor which coordinates them (EMCTASK) and several text-mode and graphical User Interfaces. Each of them will be described in the current document,

both from the design point of view and from the developers point of view (where to find needed data, how to easily extend/modify things, etc.).

Chapter 3

Motion Controller

3.1 Introduction

The motion controller receives commands from user space modules via a shared memory buffer, and executes those commands in realtime. The status of the controller is made available to the user space modules through the same shared memory area. The motion controller interacts with the motors and other hardware using the HAL (Hardware Abstraction Layer). This document assumes that the reader has a basic understanding of the HAL, and uses terms like hal pins, hal signals, etc, without explaining them. For basic information about the HAL, read the “Introduction to HAL” document. Another chapter of this document will eventually go into the internals of the HAL itself, but in this chapter, we only use the HAL API as defined in `emc2/src/hal/hal.h`.

3.2 Block diagrams and Data Flow

Figure 3.1 is a block diagram of a joint controller. There is one joint controller per joint. The joint controllers work at a lower level than the kinematics, a level where all joints are completely independent. All the data for a joint is in a single joint structure. Some members of that structure are visible in the block diagram, such as `coarse_pos`, `pos_cmd`, and `motor_pos_fb`.

Figure 3.1 shows five of the seven sets of position information that form the main data flow through the motion controller. The seven forms of position data are as follows:

1. `emcmotStatus->carte_pos_cmd` - This is the desired position, in Cartesian coordinates. It is updated at the traj rate, not the servo rate. In coord mode, it is determined by the traj planner. In teleop mode, it is determined by the traj planner? In free mode, it is either copied from `actualPos`, or generated by applying forward kins to (2) or (3).
2. `emcmotStatus->joints[n].coarse_pos` - This is the desired position, in joint coordinates, but before interpolation. It is updated at the traj rate, not the servo rate. In coord mode, it is generated by applying inverse kins to (1) In teleop mode, it is generated by applying inverse kins to (1) In free mode, it is copied from (3), I think.
3. `emcmotStatus->joints[n].pos_cmd` - This is the desired position, in joint coords, after interpolation. A new set of these coords is generated every servo period. In coord mode, it is generated from (2) by the interpolator. In teleop mode, it is generated from (2) by the interpolator. In free mode, it is generated by the free mode traj planner.
4. `emcmotStatus->joints[n].motor_pos_cmd` - This is the desired position, in motor coords. Motor coords are generated by adding backlash compensation, lead screw error compensation, and offset (for homing) to (3). It is generated the same way regardless of the mode, and is the output to the PID loop or other position loop.

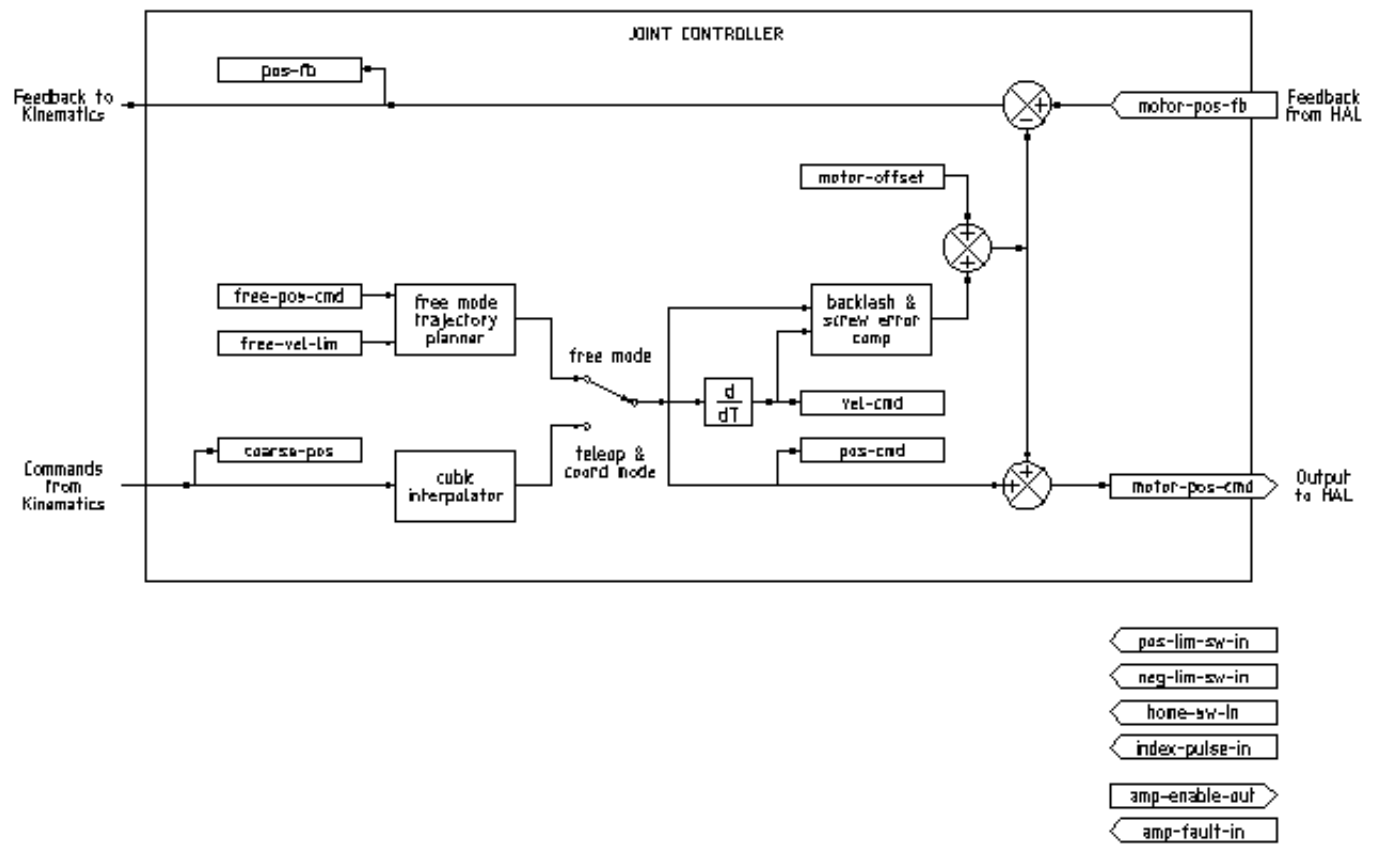


Figure 3.1: Joint Controller Block Diagram

5. `emcmotStatus->joints[n].motor_pos_fb` - This is the actual position, in motor coords. It is the input from encoders or other feedback device (or from virtual encoders on open loop machines). It is "generated" by reading the feedback device.
6. `emcmotStatus->joints[n].pos_fb` - This is the actual position, in joint coordinates. It is generated by subtracting offset, lead screw error compensation, and backlash compensation from (5). It is generated the same way regardless of the operating mode.
7. `emcmotStatus->carte_pos_fb` - This is the actual position, in Cartesian coordinates. It is updated at the traj rate, not the servo rate. Ideally, `actualPos` would always be calculated by applying forward kinematics to (6). However, forward kinematics may not be available, or they may be unusable because one or more axes aren't homed. In that case, the options are: A) fake it by copying (1), or B) admit that we don't really know the Cartesian coordinates, and simply don't update `actualPos`. Whatever approach is used, I can see no reason not to do it the same way regardless of the operating mode. I would propose the following: If there are forward kins, use them, unless they don't work because of unhomed axes or other problems, in which case do (B). If no forward kins, do (A), since otherwise `actualPos` would `_never_` get updated.

3.3 Commands

This section simply lists all of the commands that can be sent to the motion module, along with detailed explanations of what they do. The command names are defined in a large typedef enum in `emc2/src/emc/motion/motion.h`, called `cmd_code_t`. (Note that in the code, each command name starts with "EMCMOT_", which is omitted here.)

The commands are implemented by a large switch statement in the function `emcmotCommandHandler()`, which is called at the servo rate. More on that function later.

There are approximately 44 commands - this list is still under construction.

3.3.1 ABORT

The ABORT command simply stops all motion. It can be issued at any time, and will always be accepted. It does not disable the motion controller or change any state information, it simply cancels any motion that is currently in progress.¹

3.3.1.1 Requirements

None. The command is always accepted and acted on immediately.

3.3.1.2 Results

In free mode, the free mode trajectory planners are disabled. That results in each joint stopping as fast as it's accel (decel) limit allows. The stop is not coordinated. In teleop mode, the commanded Cartesian velocity is set to zero. I don't know exactly what kind of stop results (coordinated, uncoordinated, etc), but will figure it out eventually. In coord mode, the coord mode trajectory planner is told to abort the current move. Again, I don't know the exact result of this, but will document it when I figure it out.

¹It seems that the higher level code (TASK and above) also use ABORT to clear faults. Whenever there is a persistent fault (such as being outside the hardware limit switches), the higher level code sends a constant stream of ABORTs to the motion controller trying to make the fault go away. Thousands of 'em.... That means that the motion controller should avoid persistent faults. This needs looked into.

3.3.2 FREE

The FREE command puts the motion controller in free mode. Free mode means that each joint is independent of all the other joints. Cartesian coordinates, poses, and kinematics are ignored when in free mode. In essence, each joint has its own simple trajectory planner, and each joint completely ignores the other joints. Some commands (like JOG) only work in free mode. Other commands, including anything that deals with Cartesian coordinates, do not work at all in free mode.

3.3.2.1 Requirements

The command handler applies no requirements to the FREE command, it will always be accepted. However, if any joint is in motion (`GET_MOTION_INPOS_FLAG() == FALSE`), then the command will be ignored. This behavior is controlled by code that is now located in the function “`set_operating_mode()`” in `control.c`, that code needs to be cleaned up. I believe the command should not be silently ignored, instead the command handler should determine whether it can be executed and return an error if it cannot.

3.3.2.2 Results

If the machine is already in free mode, nothing. Otherwise, the machine is placed in free mode. Each joint’s free mode trajectory planner is initialized to the current location of the joint, but the planners are not enabled and the joints are stationary.

3.3.3 TELEOP

The TELEOP command places the machine in teleoperating mode. In teleop mode, movement of the machine is based on Cartesian coordinates using kinematics, rather than on individual joints as in free mode. However the trajectory planner per se is not used, instead movement is controlled by a velocity vector. Movement in teleop mode is much like jogging, except that it is done in Cartesian space instead of joint space. On a machine with trivial kinematics, there is little difference between teleop mode and free mode, and GUIs for those machines might never even issue this command. However for non-trivial machines like robots and hexapods, teleop mode is used for most user commanded jog type movements.

3.3.3.1 Requirements

The command handler will reject the TELEOP command with an error message if the kinematics cannot be activated because the one or more axes have not been homed. In addition, if any joint is in motion (`GET_MOTION_INPOS_FLAG() == FALSE`), then the command will be ignored (with no error message). This behavior is controlled by code that is now located in the function “`set_operating_mode()`” in `control.c`. I believe the command should not be silently ignored, instead the command handler should determine whether it can be executed and return an error if it cannot.

3.3.3.2 Results

If the machine is already in teleop mode, nothing. Otherwise the machine is placed in teleop mode. The kinematics code is activated, interpolators are drained and flushed, and the Cartesian velocity commands are set to zero.

3.3.4 COORD

The COORD command places the machine in coordinated mode. In coord mode, movement of the machine is based on Cartesian coordinates using kinematics, rather than on individual joints as in free mode. In addition, the main trajectory planner is used to generate motion, based on queued LINE, CIRCLE, and/or PROBE commands. Coord mode is the mode that is used when executing a G-code program.

3.3.4.1 Requirements

The command handler will reject the COORD command with an error message if the kinematics cannot be activated because the one or more axes have not been homed. In addition, if any joint is in motion (`GET_MOTION_INPOS_FLAG() == FALSE`), then the command will be ignored (with no error message). This behavior is controlled by code that is now located in the function “`set_operating_mode()`” in `control.c`. I believe the command should not be silently ignored, instead the command handler should determine whether it can be executed and return an error if it cannot.

3.3.4.2 Results

If the machine is already in coord mode, nothing. Otherwise, the machine is placed in coord mode. The kinematics code is activated, interpolators are drained and flushed, and the trajectory planner queues are empty. The trajectory planner is active and awaiting a LINE, CIRCLE, or PROBE command.

3.3.5 ENABLE

The ENABLE command enables the motion controller.

3.3.5.1 Requirements

None. The command can be issued at any time, and will always be accepted.

3.3.5.2 Results

If the controller is already enabled, nothing. If not, the controller is enabled. Queues and interpolators are flushed. Any movement or homing operations are terminated. The amp-enable outputs associated with active joints are turned on. If forward kinematics are not available, the machine is switched to free mode.

3.3.6 DISABLE

The DISABLE command disables the motion controller.

3.3.6.1 Requirements

None. The command can be issued at any time, and will always be accepted.

3.3.6.2 Results

If the controller is already disabled, nothing. If not, the controller is disabled. Queues and interpolators are flushed. Any movement or homing operations are terminated. The amp-enable outputs associated with active joints are turned off. If forward kinematics are not available, the machine is switched to free mode.

3.3.7 ENABLE_AMPLIFIER

The ENABLE_AMPLIFIER command turns on the amp enable output for a single output amplifier, without changing anything else. Can be used to enable a spindle speed controller.

3.3.7.1 Requirements

None. The command can be issued at any time, and will always be accepted.

3.3.7.2 Results

Currently, nothing. (A call to the old extAmpEnable function is currently commented out.) Eventually it will set the amp enable HAL pin true.

3.3.8 DISABLE_AMPLIFIER

The DISABLE_AMPLIFIER command turns off the amp enable output for a single amplifier, without changing anything else. Again, useful for spindle speed controllers.

3.3.8.1 Requirements

None. The command can be issued at any time, and will always be accepted.

3.3.8.2 Results

Currently, nothing. (A call to the old extAmpEnable function is currently commented out.) Eventually it will set the amp enable HAL pin false.

3.3.9 ACTIVATE_JOINT

The ACTIVATE_JOINT command turns on all the calculations associated with a single joint, but does not change the joint's amp enable output pin.

3.3.9.1 Requirements

None. The command can be issued at any time, and will always be accepted.

3.3.9.2 Results

Calculations for the specified joint are enabled. The amp enable pin is not changed, however, any subsequent ENABLE or DISABLE commands will modify the joint's amp enable pin.

3.3.10 DEACTIVATE_JOINT

The DEACTIVATE_JOINT command turns off all the calculations associated with a single joint, but does not change the joint's amp enable output pin.

3.3.10.1 Requirements

None. The command can be issued at any time, and will always be accepted.

3.3.10.2 Results

Calculations for the specified joint are enabled. The amp enable pin is not changed, and subsequent ENABLE or DISABLE commands will not modify the joint's amp enable pin.

3.3.11 ENABLE_WATCHDOG

The ENABLE_WATCHDOG command enables a hardware based watchdog (if present).

3.3.11.1 Requirements

None. The command can be issued at any time, and will always be accepted.

3.3.11.2 Results

Currently nothing. The old watchdog was a strange thing that used a specific sound card. A new watchdog interface may be designed in the future.

3.3.12 DISABLE_WATCHDOG

The DISABLE_WATCHDOG command disables a hardware based watchdog (if present).

3.3.12.1 Requirements

None. The command can be issued at any time, and will always be accepted.

3.3.12.2 Results

Currently nothing. The old watchdog was a strange thing that used a specific sound card. A new watchdog interface may be designed in the future.

3.3.13 PAUSE

The PAUSE command stops the trajectory planner. It has no effect in free or teleop mode. At this point I don't know if it pauses all motion immediately, or if it completes the current move and then pauses before pulling another move from the queue.

3.3.13.1 Requirements

None. The command can be issued at any time, and will always be accepted.

3.3.13.2 Results

The trajectory planner pauses.

3.3.14 RESUME

The RESUME command restarts the trajectory planner if it is paused. It has no effect in free or teleop mode, or if the planner is not paused.

3.3.14.1 Requirements

None. The command can be issued at any time, and will always be accepted.

3.3.14.2 Results

The trajectory planner resumes.

3.3.15 STEP

The STEP command restarts the trajectory planner if it is paused, and tells the planner to stop again when it reaches a specific point. It has no effect in free or teleop mode. At this point I don't know exactly how this works. I'll add more documentation here when I dig deeper into the trajectory planner.

3.3.15.1 Requirements

None. The command can be issued at any time, and will always be accepted.

3.3.15.2 Results

The trajectory planner resumes, and later pauses when it reaches a specific point.

3.3.16 SCALE

The SCALE command scales all velocity limits and commands by a specified amount. It is used to implement feed rate override and other similar functions. The scaling works in free, teleop, and coord modes, and affects everything, including homing velocities, etc. However, individual joint velocity limits are unaffected.

3.3.16.1 Requirements

None. The command can be issued at any time, and will always be accepted.

3.3.16.2 Results

All velocity commands are scaled by the specified constant.

3.3.17 OVERRIDE_LIMITS

The `OVERRIDE_LIMITS` command prevents limits from tripping until the end of the next `JOG` command. It is normally used to allow a machine to be jogged off of a limit switch after tripping. (The command can actually be used to override limits, or to cancel a previous override.)

3.3.17.1 Requirements

None. The command can be issued at any time, and will always be accepted. (I think it should only work in free mode.)

3.3.17.2 Results

Limits on all joints are over-ridden until the end of the next `JOG` command. (This is currently broken... once an `OVERRIDE_LIMITS` command is received, limits are ignored until another `OVERRIDE_LIMITS` command re-enables them.)

3.3.18 HOME

The `HOME` command initiates a homing sequence on a specified joint. The actual homing sequence is determined by a number of configuration parameters, and can range from simply setting the current position to zero, to a multi-stage search for a home switch and index pulse, followed by a move to an arbitrary home location. For more information about the homing sequence, see section [3.4](#) of this document.

3.3.18.1 Requirements

The command will be ignored silently unless the machine is in free mode.

3.3.18.2 Results

Any jog or other joint motion is aborted, and the homing sequence starts.

3.3.19 JOG_CONT

The `JOG_CONT` command initiates a continuous jog on a single joint. A continuous jog is generated by setting the free mode trajectory planner's target position to a point beyond the end of the joint's range of travel. This ensures that the planner will move constantly until it is stopped by either the joint limits or an `ABORT` command. Normally, a GUI sends a `JOG_CONT` command when the user presses a jog button, and `ABORT` when the button is released.

3.3.19.1 Requirements

The command handler will reject the `JOG_CONT` command with an error message if machine is not in free mode, or if any joint is in motion (`GET_MOTION_INPOS_FLAG() == FALSE`), or if motion is not enabled. It will also silently ignore the command if the joint is already at or beyond its limit and the commanded jog would make it worse.

3.3.19.2 Results

The free mode trajectory planner for the joint identified by `emcmotCommand->axis` is activated, with a target position beyond the end of joint travel, and a velocity limit of `emcmotCommand->vel`. This starts the joint moving, and the move will continue until stopped by an ABORT command or by hitting a limit. The free mode planner accelerates at the joint accel limit at the beginning of the move, and will decelerate at the joint accel limit when it stops.

3.3.20 JOG_INCR

The JOG_INCR command initiates an incremental jog on a single joint. Incremental jogs are cumulative, in other words, issuing two JOG_INCR commands that each ask for 0.100 inches of movement will result in 0.200 inches of travel, even if the second command is issued before the first one finishes. Normally incremental jogs stop when they have traveled the desired distance, however they also stop when they hit a limit, or on an ABORT command.

3.3.20.1 Requirements

The command handler will silently reject the JOG_INCR command if machine is not in free mode, or if any joint is in motion (`GET_MOTION_INPOS_FLAG() == FALSE`), or if motion is not enabled. It will also silently ignore the command if the joint is already at or beyond it's limit and the commanded jog would make it worse.

3.3.20.2 Results

The free mode trajectory planner for the joint identified by `emcmotCommand->axis` is activated, the target position is incremented/decremented by `emcmotCommand->offset`, and the velocity limit is set to `emcmotCommand->vel`. The free mode trajectory planner will generate a smooth trapezoidal move from the present position to the target position. The planner can correctly handle changes in the target position that happen while the move is in progress, so multiple JOG_INCR commands can be issued in quick succession. The free mode planner accelerates at the joint accel limit at the beginning of the move, and will decelerate at the joint accel limit to stop at the target position.

3.3.21 JOG_ABS

The JOG_ABS command initiates an absolute jog on a single joint. An absolute jog is a simple move to a specific location, in joint coordinates. Normally absolute jogs stop when they reach the desired location, however they also stop when they hit a limit, or on an ABORT command.

3.3.21.1 Requirements

The command handler will silently reject the JOG_ABS command if machine is not in free mode, or if any joint is in motion (`GET_MOTION_INPOS_FLAG() == FALSE`), or if motion is not enabled. It will also silently ignore the command if the joint is already at or beyond it's limit and the commanded jog would make it worse.

3.3.21.2 Results

The free mode trajectory planner for the joint identified by `emcmotCommand->axis` is activated, the target position is set to `emcmotCommand->offset`, and the velocity limit is set to `emcmotCommand->vel`. The free mode trajectory planner will generate a smooth trapezoidal move from the present

position to the target position. The planner can correctly handle changes in the target position that happen while the move is in progress. If multiple JOG_ABS commands are issued in quick succession, each new command changes the target position and the machine goes to the final commanded position. The free mode planner accelerates at the joint accel limit at the beginning of the move, and will decelerate at the joint accel limit to stop at the target position.

3.3.22 SET_LINE

The SET_LINE command adds a straight line to the trajectory planner queue.

(More later)

3.3.23 SET_CIRCLE

The SET_CIRCLE command adds a circular move to the trajectory planner queue.

(More later)

3.3.24 SET_TELEOP_VECTOR

The SET_TELEOP_VECTOR command instructs the motion controller to move along a specific vector in Cartesian space.

(More later)

3.3.25 PROBE

The PROBE command instructs the motion controller to move toward a specific point in Cartesian space, stopping and recording its position if the probe input is triggered.

(More later)

3.3.26 CLEAR_PROBE_FLAG

The CLEAR_PROBE_FLAG command is used to reset the probe input in preparation for a PROBE command. (Question: why shouldn't the PROBE command automatically reset the input?)

(More later)

3.3.27 SET_xix

There are approximately 15 SET_xxx commands, where xxx is the name of some configuration parameter. It is anticipated that there will be several more SET commands as more parameters are added. I would like to find a cleaner way of setting and reading configuration parameters. The existing methods require many lines of code to be added to multiple files each time a parameter is added. Much of that code is identical or nearly identical for every parameter.

3.4 Homing

3.4.1 Overview

Homing seems simple enough - just move each joint to a known location, and set EMC's internal variables accordingly. However, different machines have different requirements, and homing is actually quite complicated.

In EMC2, homing is done in free mode. The core of the homing algorithm is a state machine contained in the function "do_homing()", which in turn makes use of the free mode trajectory planner. Homing does not use kinematics or the coordinated trajectory planner.

3.4.2 Homing Sequence

Figure 3.2 shows four possible homing sequences, along with the associated configuration parameters. For a more detailed description of what each configuration parameter does, see the following section.

3.4.3 Configuration

There are six pieces of information that determine exactly how the home sequence behaves. They are stored in the joint structure, and each joint is configured independently.

3.4.3.1 home_search_vel

'home_search_vel' is a member of the joint structure (as defined in motion.h). The default value is zero. A value of zero causes EMC to assume that there is no home switch. The search and latch stages of homing are skipped, EMC declares the current position to be "home_offset", and does a rapid to "home" if "home" is not equal to "home_offset".

If 'home_search_vel' is non-zero, then EMC assumes that there is a home switch. It begins searching for the home switch by moving in the direction specified by the sign of 'home_search_vel', at a speed determined by its absolute value. When the home switch is detected, the joint will stop as fast as possible, but there will always be some overshoot. The amount of overshoot depends on the speed. If it is too high, the joint might overshoot enough to hit a limit switch or crash into the end of travel. On the other hand, if 'home_search_vel' is too low, homing can take a long time.

3.4.3.2 home_latch_vel

'home_latch_vel' is also a member of the joint structure. It specifies the speed and direction that EMC uses when it makes its final accurate determination of the home switch and index pulse location. It will usually be slower than the search velocity to maximize accuracy. If search_vel and latch_vel have the same sign, then the latch phase is done while moving in the same direction as the search phase. (In that case, EMC first backs off the switch, before moving towards it again at the latch velocity.) If search_vel and latch_vel have opposite signs, the latch phase is done while moving in the opposite direction from the search phase. That means EMC will latch the first pulse after it moves off the switch. If 'search_vel' is zero, the latch phase is skipped and this parameter is ignored. If 'search_vel' is non-zero and this parameter is zero, it is an error and the homing operation will fail. The default value is zero.

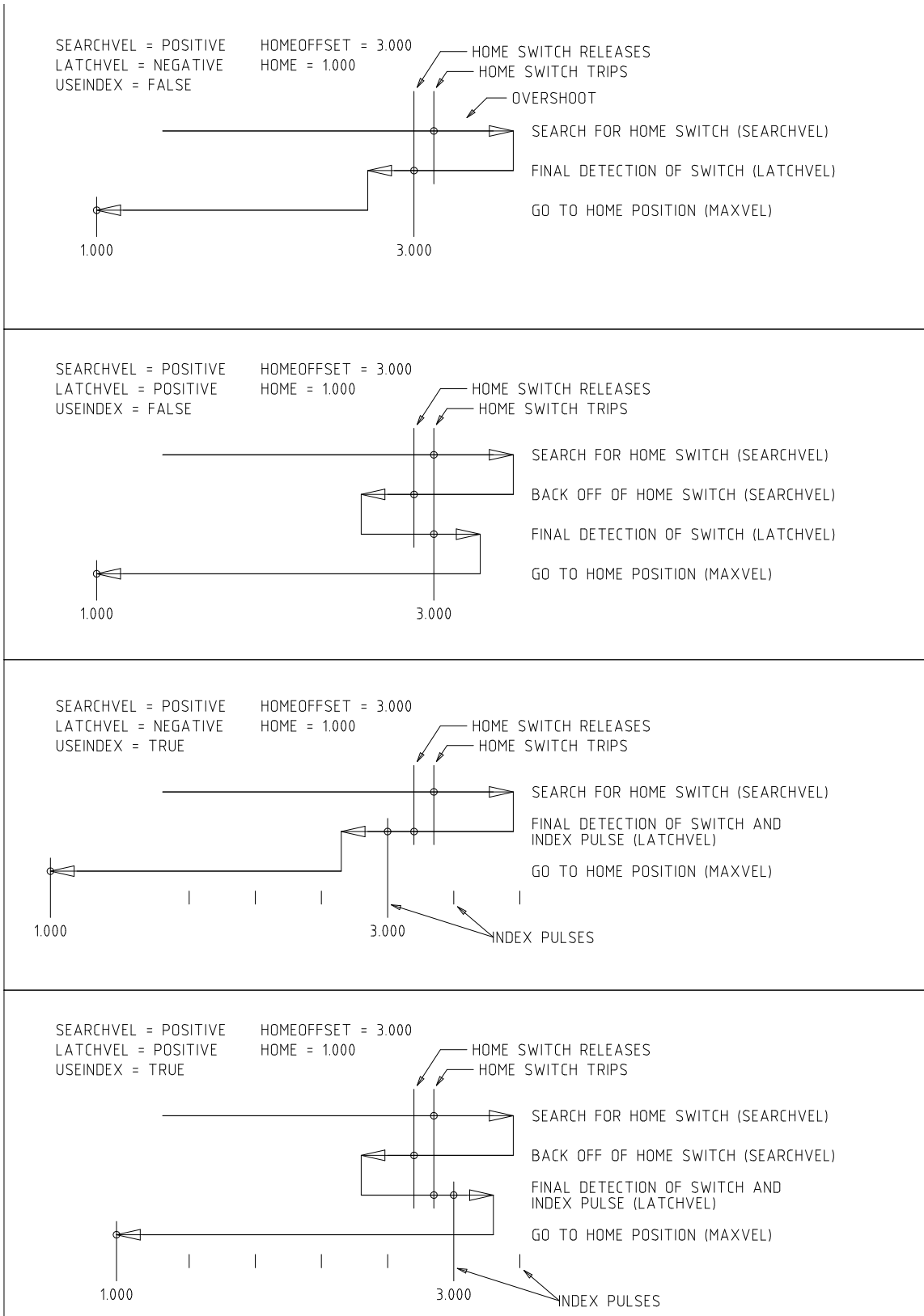


Figure 3.2: Homing Sequences

3.4.3.3 home_final_vel

'home_final_vel' is also a member of the joint structure. It specifies the speed that EMC uses when it makes its move from HOME_OFFSET to the HOME position. If the HOME_FINAL_VEL is missing from the ini file, then the maximum joint speed is used to make this move.

3.4.3.4 home_ignore_limits

'home_ignore_limits' is a single bit within the joint structure member 'home_flags'. This flag determines whether EMC will ignore the limit switch inputs. Some machine configurations do not use a separate home switch, instead they route one of the limit switch signals to the home switch input as well. In this case, EMC needs to ignore that limit during homing. The default value for this parameter is OFF.

3.4.3.5 home_use_index

'home_use_index' is a single bit within the joint structure member 'home_flags'. It specifies whether or not there is an index pulse. If the flag is true, EMC will latch on the rising edge of the index pulse. If false, EMC will latch on either the rising or falling edge of the home switch (depending on the signs of search_vel and latch_vel). If 'search_vel' is zero, the latch phase is skipped and this parameter is ignored. The default value is OFF.

3.4.3.6 home_offset

'home_offset' is a member of the joint structure. It contains the location of the home switch or index pulse, in joint coordinates. It can also be treated as the distance between the point where the switch or index pulse is latched and the zero point of the joint. After detecting the index pulse, EMC sets the joint coordinate of that point to "home_offset". The default value is zero.

3.4.3.7 home

'home' is a member of the joint structure. It is the position that the joint will go to upon completion of the homing sequence. After detecting the index pulse, and setting the coordinate of that point to "home_offset", EMC makes a move to "home" as the final step of the homing process. The default value is zero. Note that even if this parameter is the same as "home_offset", the axis will slightly overshoot the latched position as it stops. Therefore there will always be a small move at this time (unless search_vel is zero, and the entire search/latch stage was skipped). This final move will be made at the joint's maximum velocity. Since the axis is now homed, there should be no risk of crashing the machine, and a rapid move is the quickest way to finish the homing sequence. ²

²The distinction between 'home' and 'home_offset' is not as clear as I would like. I intend to make a small drawing and example to help clarify it.

3.5 Backlash and Screw Error Compensation

Chapter 4

Task controller (EMCTASK)

Chapter 5

IO controller (EMCIO)

Chapter 6

User Interfaces

Chapter 7

libnml

7.1 Introduction

libnml is derived from the NIST rcslib without all the multi-platform support. Many of the wrappers around platform specific code has been removed along with much of the code that is not required by emc2. It is hoped that sufficient compatibility remains with rcslib so that applications can be implemented on non-Linux platforms and still be able to communicate with emc2.

This chapter is not intended to be a definitive guide to using libnml (or rcslib), instead, it will eventually provide an overview of each C++ class and their member functions. Initially, most of these notes will be random comments added as the code scrutinized and modified.

7.2 LinkedList

Base class to maintain a linked list. This is one of the core building blocks used in passing NML messages and assorted internal data structures.

7.3 LinkedListNode

Base class for producing a linked list - Purpose, to hold pointers to the previous and next nodes, pointer to the data, and the size of the data.

No memory for data storage is allocated.

7.4 SharedMemory

Provides a block of shared memory along with a semaphore (inherited from the Semaphore class). Creation and destruction of the semaphore is handled by the SharedMemory constructor and destructor.

7.5 ShmBuffer

Class for passing NML messages between local processes using a shared memory buffer. Much of internal workings are inherited from the CMS class.

7.6 Timer

The Timer class provides a periodic timer limited only by the resolution of the system clock. If, for example, a process needs to be run every 5 seconds regardless of the time taken to run the process, the following code snippet demonstrates how :

```
main()
{
    timer = new Timer(5.0);    /* Initialize a timer with a 5 second loop */
    while(0) {
        /* Do some process */
        timer.wait();        /* Wait till the next 5 second interval */
    }
    delete timer;
}
```

7.7 Semaphore

The Semaphore class provides a method of mutual exclusions for accessing a shared resource. The function to get a semaphore can either block until access is available, return after a timeout, or return immediately with or without gaining the semaphore. The constructor will create a semaphore or attach to an existing one if the ID is already in use.

The Semaphore::destroy() must be called by the last process only.

7.8 CMS

At the heart of libnml is the CMS class, it contains most of the functions used by libnml and ultimately NML. Many of the internal functions are overloaded to allow for specific hardware dependent methods of data passing. Ultimately, everything revolves around a central block of memory (referred to as the “message buffer” or just “buffer”). This buffer may exist as a shared memory block accessed by other CMS/NML processes, or a local and private buffer for data being transferred by network or serial interfaces.

The buffer is dynamically allocated at run time to allow for greater flexibility of the CMS/NML subsystem. The buffer size must be large enough to accommodate the largest message, a small amount for internal use and allow for the message to be encoded if this option is chosen (encoded data will be covered later). Figure 7.1 is an internal view of the buffer space.

The CMS base class is primarily responsible for creating the communications pathways and interfacing to the O.S.

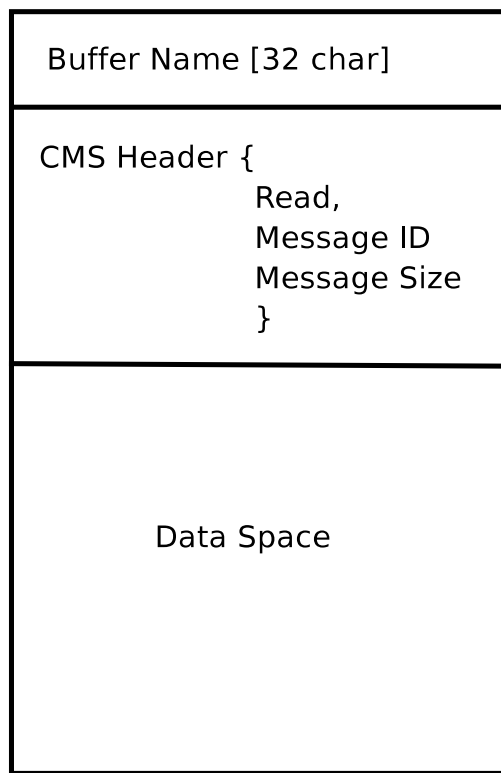


Figure 7.1: CMS buffer

Chapter 8

NML Notes */* FIX ME */*

A collection of random notes and thought whilst studying the libnml and rcslib code.

Much of this needs to be edited and re-written in a coherent manner before publication.

8.1 Configuration file format

NML configuration consists of two types of line formats. One for Buffers, and a second for Processes that connect to the buffers.

8.1.1 Buffer line

The original NIST format of the buffer line is:

B name type host size neut RPC# buffer# max_procs key [type specific configs]

- B identifies this line as a Buffer configuration.
- name is the identifier of the buffer.
- type describes the buffer type - SHMEM, LOCMEM, FILEMEM, PHANTOM, or GLOBMEM.
- host is either an IP address or host name for the NML server
- size is the size of the buffer
- neut a boolean to indicate if the data in the buffer is encoded in a machine independent format, or raw.
- RPC# Obsolete - Place holder retained for backward compatibility only.
- buffer# A unique ID number used if a server controls multiple buffers.
- max_procs is the maximum processes allowed to connect to this buffer.
- key is a numerical identifier for a shared memory buffer

8.1.2 Type specific configs

The buffer type implies additional configuration options whilst the host operating system precludes certain combinations. In an attempt to distill published documentation in to a coherent format, only the SHMEM buffer type will be covered.

- mutex=os_sem - default mode for providing semaphore locking of the buffer memory.
- mutex=none - Not used
- mutex=no_interrupts - not applicable on a Linux system
- mutex=no_switching - not applicable on a Linux system
- mutex=mao split - Splits the buffer in to half (or more) and allows one process to access part of the buffer whilst a second process is writing to another part.
- TCP=(port number) - Specifies which network port to use.
- UDP=(port number) - ditto
- STCP=(port number) - ditto
- serialPortDevName=(serial port) - Undocumented.
- passwd=file_name.pwd - Adds a layer of security to the buffer by requiring each process to provide a password.
- bsem - NIST documentation implies a key for a blocking semaphore, and if bsem=-1, blocking reads are prevented.
- queue - Enables queued message passing.
- ascii - Encode messages in a plain text format
- disp - Encode messages in a format suitable for display (???)
- xdr - Encode messages in External Data Representation. (see rpc/xdr.h for details).
- diag - Enables diagnostics stored in the buffer (timings and byte counts ?)

8.1.3 Process line

The original NIST format of the process line is:

P name buffer type host ops server timeout master c_num [type specific configs]

- P identifies this line as a Process configuration.
- name is the identifier of the process.
- buffer is one of the buffers defined elsewhere in the config file.
- type defines whether this process is local or remote relative to the buffer.
- host specifies where on the network this process is running.
- ops gives the process read only, write only, or read/write access to the buffer.
- server specifies if this process will running a server for this buffer.
- timeout sets the timeout characteristics for accesses to the buffer.
- master indicates if this process is responsible for creating and destroying the buffer.
- c_num an integer between zero and (max_procs - 1)

8.1.4 Configuration Comments

Some of the configuration combinations are invalid, whilst others imply certain constraints. On a Linux system, GLOBMEM is obsolete, whilst PHANTOM is only really useful in the testing stage of an application, likewise for FILEMEM. LOCMEM is of little use for a multi-process application, and only offers limited performance advantages over SHMEM. This leaves SHMEM as the only buffer type to use with emc2.

The neut option is only of use in a multi-processor system where different (and incompatible) architectures are sharing a block of memory. The likelihood of seeing a system of this type outside of a museum or research establishment is remote and is only relevant to GLOBMEM buffers.

The RPC number is documented as being obsolete and is retained only for compatibility reasons.

With a unique buffer name, having a numerical identity seems to be pointless. Need to review the code to identify the logic. Likewise, the key field at first appears to be redundant, and it could be derived from the buffer name.

The purpose of limiting the number of processes allowed to connect to any one buffer is unclear from existing documentation and from the original source code. Allowing unspecified multiple processes to connect to a buffer is no more difficult to implement.

The mutex types boil down to one of two, the default “os_sem” or “mao split”. Most of the NML messages are relatively short and can be copied to or from the buffer with minimal delays, so split reads are not essential.

Data encoding is only relevant when transmitted to a remote process - Using TCP or UDP implies XDR encoding. Whilst ascii encoding may have some use in diagnostics or for passing data to an embedded system that does not implement NML.

UDP protocols have fewer checks on data and allows a percentage of packets to be dropped. TCP is more reliable, but is marginally slower.

If emc2 is to be connected to a network, one would hope that it is local and behind a firewall. About the only reason to allow access to emc2 via the Internet would be for remote diagnostics - This can be achieved far more securely using other means, perhaps by a web interface.

The exact behavior when timeout is set to zero or a negative value is unclear from the NIST documents. Only INF and positive values are mentioned. However, buried in the source code of rcslib, it is apparent that the following applies:

timeout > 0 Blocking access until the timeout interval is reached or access to the buffer is available.

timeout = 0 Access to the buffer is only possible if no other process is reading or writing at the time.

timeout < 0 or INF Access is blocked until the buffer is available.

8.2 NML base class /* FIX ME */

Expand on the lists and the relationship between NML, NMLmsg, and the lower level cms classes.

Not to be confused with NMLmsg, RCS_STAT_MSG, or RCS_CMD_MSG.

NML is responsible for parsing the config file, configuring the cms buffers and is the mechanism for routing messages to the correct buffer(s). To do this, NML creates several lists for:

- cms buffers created or connected to.
- processes and the buffers they connect to
- a long list of format functions for each message type

This last item is probably the nub of much of the malignment of libnml/rcslib and NML in general. Each message that is passed via NML requires a certain amount of information to be attached in addition to the actual data. To do this, several formatting functions are called in sequence to assemble fragments of the overall message. The format functions will include NML_TYPE, MSG_TYPE, in addition to the data declared in derived NMLmsg classes. Changes to the order in which the formatting functions are called and also the variables passed will break compatibility with rcslib if messed with - *There are reasons for maintaining rcslib compatibility, and good reasons for messing with the code. The question is, which set of reasons are overriding ?*

8.2.1 NML internals

8.2.1.1 NML constructor

NML::NML() parses the config file and stores it in a linked list to be passed to cms constructors in single lines. It is the function of the NML constructor to call the relevant cms constructor for each buffer and maintain a list of the cms objects and the processes associated with each buffer.

It is from the pointers stored in the lists that NML can interact with cms and why Doxygen fails to show the real relationships involved.

(side note) The config is stored in memory before passing a pointer to a specific line to the cms constructor. The cms constructor then parses the line again to extract a couple of variables... It would make more sense to do ALL the parsing and save the variables in a struct that is passed to the cms constructor - This would eliminate string handling and reduce duplicate code in cms....

8.2.1.2 NML read/write

Calls to NML::read and NML::write both perform similar tasks in so much as processing the message - The only real variation is in the direction of data flow.

A call to the read function first gets data from the buffer, then calls format_output(), whilst a write function would call format_input() before passing the data to the buffer. It is in format_xxx() that the work of constructing or deconstructing the message takes place. A list of assorted functions are called in turn to place various parts of the NML header (not to be confused with the cms header) in the right order - The last function called is emcFormat() in emc.cc.

8.2.1.3 NMLmsg and NML relationships

NMLmsg is the base class from which all message classes are derived. Each message class must have a unique ID defined (and passed to the constructor) and also an update(*cms) function. The update() will be called by the NML read/write functions when the NML formatter is called - The pointer to the formatter will have been declared in the NML constructor at some point. By virtue of the linked lists NML creates, it is able to select cms pointer that is passed to the formatter and therefor which buffer is to be used.

8.3 Adding custom NML commands

EMC2 is pretty awesome, but some parts need some tweaking. As you know communication is done through NML channels, the data sent through such a channel is one of the classes defined in emc.hh (implemented in emc.cc). If somebody needs a message type that doesn't exist, he should follow these steps to add a new one. (The Message I added in the example is called EMC_IO_GENERIC (inherits EMC_IO_CMD_MSG (inherits RCS_CMD_MSG)))

1. add the definition of the EMC_IO_GENERIC class to emc2/src/emc/nml_intf/emc.hh

2. add the type define: `#define EMC_IO_GENERIC_TYPE ((NMLTYPE) 1605)` - (I chose 1605, because it was available) to `emc2/src/emc/nml_intf/emc.hh`
3. add case `EMC_IO_GENERIC_TYPE` to `emcFormat` in `emc2/src/emc/nml_intf/emc.cc`
4. add case `EMC_IO_GENERIC_TYPE` to `emc_symbol_lookup` in `emc2/src/emc/nml_intf/emc.cc`
5. add `EMC_IO_GENERIC::update` function to `emc2/src/emc/nml_intf/emc.cc`

recompile, and the new message should be there. The next part is to send such messages from somewhere, and receive them in another place, and do some stuff with it.

Part II

NML Messages

Chapter 9

NML Messages

9.1 EMC OPERATOR

9.1.1 EMC_OPERATOR_ERROR_TYPE

Description, NML Type: textual error message to the operator, 11
Written From: emccanon.cc, iossh.cc
Read To: emctaskmain.cc, emcsh.cc
Parameter, Type: [error, char[LINELLEN]]

9.1.2 EMC_OPERATOR_TEXT_TYPE

Description, NML Type: textual information message to the operator, 12
Written From: emctaskmain.cc
Read To: emctaskmain.cc, emcsh.cc
Parameter, Type: [text, char[LINELLEN]]

9.1.3 EMC_OPERATOR_DISPLAY_TYPE

Description, NML Type: URL or filename of a document to display, 13
Obs: not used, only read
Written From: none
Read To: emctaskmain.cc, emcsh.cc
Parameter, Type: [display, char[LINELLEN]]

9.2 EMC NULL, SET, DEBUG, & SYSTEM

9.2.1 EMC_NULL_TYPE

Description, NML Type: used to reset serial number to original, 21
Written From: thisQuit (emcsh.cc)
Read To: emctaskmain.cc
Parameter, Type: none

9.2.2 EMC_SET_DEBUG_TYPE

Description, NML Type: sets debug level, 22

Written From: emcIoSetDebug (iotaskintf.cc), sendDebug (emcsh.cc)

Read To: emctaskmain.cc, ioControl.cc

Parameter, Type: [debug, int]

9.2.3 EMC_SYSTEM_CMD_TYPE

Description, NML Type: execute a system command, 30

Written From: user_defined_add_m_code (emctask.cc)

Read To: emcSystemCmd (emctaskmain.cc)

Parameter, Type: [string, char[LINELLEN]]

9.3 EMC AXIS

9.3.1 EMC_AXIS_SET_AXIS_TYPE

Description, NML Type: axis type to linear or angular, 101

Obs: not used

Written From: none

Read To: none

Parameter, Type: [axis (in EMC_AXIS_CMD_MSG), int] [axisType, unsigned char]

9.3.2 EMC_AXIS_SET_UNITS_TYPE

Description, NML Type: units conversion factor, 102

Obs: not used

Written From: none

Read To: none

Parameter, Type: [axis (in EMC_AXIS_CMD_MSG), int] [units, double]

9.3.3 EMC_AXIS_SET_GAINS_TYPE

Description, NML Type: Set the PID gains, 103

Obs: currently not used in emc2, needs to go to HAL

Written From: none

Read To: emctaskmain.cc

Parameter, Type: [axis (in EMC_AXIS_CMD_MSG), int] [p, double] [i, double] [d, double] [ff0, double] [ff1, double] [ff2, double] [backlash, double] [bias, double] [maxError, double]

9.3.4 EMC_AXIS_SET_CYCLE_TIME_TYPE

Description, NML Type: cycle time for the servo task, 104

Written From: none

Read To: emctaskmain.cc

Parameter, Type: [axis (in EMC_AXIS_CMD_MSG), int] [cycleTime, double]

9.3.5 EMC_AXIS_SET_INPUT_SCALE_TYPE

Description, NML Type: scale factor and offset for the position input, 105

Obs: currently if 0'ed, used only directly from iniaxis

Written From: none

Read To: emcTaskIssueCommand (emctaskmain.cc) calls emcAxisSetInputScale (minimill|bridgeporttaskintf.cc) which sends EMC_MOT_SET_INPUT_SCALE

Parameter, Type: [axis (in EMC_AXIS_CMD_MSG), int] [scale, double] [offset, double]

9.3.6 EMC_AXIS_SET_OUTPUT_SCALE_TYPE

Description, NML Type: scale factor and offset for the position output, 106

Obs: currently if 0'ed, used only directly from iniaxis

Written From: none

Read To: emcTaskIssueCommand (emctaskmain.cc)

Parameter, Type: [axis (in EMC_AXIS_CMD_MSG), int] [scale, double] [offset, double]

9.3.7 EMC_AXIS_SET_MIN_POSITION_LIMIT_TYPE

Description, NML Type: sets min limit, 107

Obs: also handled by iniaxis which directly calls emcAxisSetMinPositionLimit

Written From: none

Read To: emcTaskIssueCommand (emctaskmain.cc) calls emcAxisSetMinPositionLimit (taskintf.cc) which sends EMC_MOT_SET_POSITION_LIMITS

Parameter, Type: [axis (in EMC_AXIS_CMD_MSG), int] [limit, double]

9.3.8 EMC_AXIS_SET_MAX_POSITION_LIMIT_TYPE

Description, NML Type: sets max limit, 108

Obs: also handled by iniaxis which directly calls emcAxisSetMaxPositionLimit

Written From: none

Read To: emcTaskIssueCommand (emctaskmain.cc) calls emcAxisSetMaxPositionLimit (taskintf.cc) which sends EMC_MOT_SET_POSITION_LIMITS

Parameter, Type: [axis (in EMC_AXIS_CMD_MSG), int] [limit, double]

9.3.9 EMC_AXIS_SET_MIN_OUTPUT_LIMIT_TYPE

Description, NML Type: -, 109

Obs: not used

Written From: none

Read To: none

Parameter, Type: [axis (in EMC_AXIS_CMD_MSG), int] [limit, double]

9.3.10 EMC_AXIS_SET_MAX_OUTPUT_LIMIT_TYPE

Description, NML Type: -, 110

Obs: not used

Written From: none

Read To: none

Parameter, Type: [axis (in EMC_AXIS_CMD_MSG), int] [limit, double]

9.3.11 EMC_AXIS_SET_FERROR_TYPE

Description, NML Type: sets max following error, 111

Obs: also handled by iniaxis which directly calls emcAxisSetFerror

Written From: none

Read To: emcTaskIssueCommand (emctaskmain.cc) calls emcAxisSetFerror (taskintf.cc) which sends EMC_MOT_SET_MAX_FERROR

Parameter, Type: [axis (in EMC_AXIS_CMD_MSG), int] [ferror, double]

9.3.12 EMC_AXIS_SET_HOMING_VEL_TYPE

Description, NML Type: -, 112

Obs: in EMC2 those are SET_HOMING_PARAMS double home, double offset, double search_vel, double latch_vel, int use_index, int ignore_limits,

Written From: none

Read To: none

Parameter, Type: [axis (in EMC_AXIS_CMD_MSG), int] [ferror, double]

9.3.13 EMC_AXIS_SET_HOME_TYPE

Description, NML Type: -, 113

Written From: none

Read To: none

Parameter, Type: [axis (in EMC_AXIS_CMD_MSG), int] [homingVel, double]

9.3.14 EMC_AXIS_SET_HOME_OFFSET_TYPE

Description, NML Type: -, 114

Written From: none

Read To: none

Parameter, Type: [axis (in EMC_AXIS_CMD_MSG), int] [home, double]

9.3.15 EMC_AXIS_SET_MIN_FERROR_TYPE

Description, NML Type: sets min following error, 115

Obs: also handled by iniaxis which directly calls emcAxisSetMinFerror

Written From: none

Read To: emcTaskIssueCommand (emctaskmain.cc) calls emcAxisSetMinFerror (taskintf.cc) which sends EMC_MOT_SET_MIN_FERROR

Parameter, Type: [axis (in EMC_AXIS_CMD_MSG), int] [offset, double]

9.3.16 EMC_AXIS_SET_MAX_VELOCITY_TYPE

Description, NML Type: sets max. velocity, 116

Obs: not used

Written From: none

Read To: none

Parameter, Type: [axis (in EMC_AXIS_CMD_MSG), int] [vel, double]

9.3.17 EMC_AXIS_INIT_TYPE

Description, NML Type: -, 118

Obs: not used

Written From: none

Read To: none

Parameter, Type: [axis (in EMC_AXIS_CMD_MSG), int]

9.3.18 EMC_AXIS_HALT_TYPE

Description, NML Type: -, 119

Obs: not used, only read

Written From: none

Read To: emcTaskIssueCommand (emctaskmain.cc) calls emcAxisHalt (taskintf.cc)

Parameter, Type: [axis (in EMC_AXIS_CMD_MSG), int]

9.3.19 EMC_AXIS_ABORT_TYPE

Description, NML Type: aborts motion on an axis (e.g. GUI jogs), 120

Obs: used from the GUI when stopping a manual jog

Written From: sendJogStop (emcsh.cc)

Read To: emcTaskIssueCommand (emctaskmain.cc) calls emcAxisAbort (taskintf.cc) which sends EMCMOT_AXIS_ABORT

Parameter, Type: [axis (in EMC_AXIS_CMD_MSG), int]

9.3.20 EMC_AXIS_ENABLE_TYPE

Description, NML Type: enables axis, 121

Obs: not used from tkemc & mini

Written From: sendAxisEnable (emcsh.cc)

Read To: emcTaskIssueCommand (emctaskmain.cc) calls emcAxisEnable (taskintf.cc) which sends EMCMOT_ENABLE_AMPLIFIER

Parameter, Type: [axis (in EMC_AXIS_CMD_MSG), int]

9.3.21 EMC_AXIS_DISABLE_TYPE

Description, NML Type: disable axis, 122

Obs: not used from tkemc & mini

Written From: sendAxisDisable (emcsh.cc)

Read To: emcTaskIssueCommand (emctaskmain.cc) calls emcAxisDisable (taskintf.cc) which sends EMCMOT_DISABLE_AMPLIFIER

Parameter, Type: [axis (in EMC_AXIS_CMD_MSG), int]

9.3.22 EMC_AXIS_HOME_TYPE

Description, NML Type: home an axis at current position, 123

Obs: used from tkemc & mini through emc_home

Written From: sendHome (emcsh.cc)

Read To: emcTaskIssueCommand (emctaskmain.cc) calls emcAxisHome (taskintf.cc) which sends EMCMOT_HOME

Parameter, Type: [axis (in EMC_AXIS_CMD_MSG), int]

9.3.23 EMC_AXIS_JOG_TYPE

Description, NML Type: jogs an axis continuously, 124

Obs: used on jogging

Written From: sendJogCont (emcsh.cc)

Read To: emcTaskIssueCommand (emctaskmain.cc) calls emcAxisJog (taskintf.cc) which sends EMCMOT_JOG_CONT

Parameter, Type: [axis (in EMC_AXIS_CMD_MSG), int] [vel, double]

9.3.24 EMC_AXIS_INCR_JOG_TYPE

Description, NML Type: jogs an axis with an increment, 125

Obs: used on jogging

Written From: sendJogIncr (emcsh.cc)

Read To: emcTaskIssueCommand (emctaskmain.cc) calls emcAxisIncrJog (taskintf.cc) which sends EMC_MOT_JOG_INCR

Parameter, Type: [axis (in EMC_AXIS_CMD_MSG), int] [incr, double] [vel, double]

9.3.25 EMC_AXIS_ABS_JOG_TYPE

Description, NML Type: jogs an axis with an absolute value, 126

Obs: not used, only read

Written From: none

Read To: emcTaskIssueCommand (emctaskmain.cc) calls emcAxisAbsJog (taskintf.cc) which sends EMC_MOT_JOG_ABS

Parameter, Type: [axis (in EMC_AXIS_CMD_MSG), int] [pos, double] [vel, double]

9.3.26 EMC_AXIS_ACTIVATE_TYPE

Description, NML Type: -, 127

Obs: not used

Written From: none

Read To: none

Parameter, Type: [axis (in EMC_AXIS_CMD_MSG), int]

9.3.27 EMC_AXIS_DEACTIVATE_TYPE

Description, NML Type: -, 128

Obs: not used

Written From: none

Read To: none

Parameter, Type: [axis (in EMC_AXIS_CMD_MSG), int]

9.3.28 EMC_AXIS_OVERRIDE_LIMITS_TYPE

Description, NML Type: overrides min/max limits during homing, 129

Obs: used from tkemc & mini through emc_override_limit

Written From: sendOverrideLimits (emcsh.cc)

Read To: emcTaskIssueCommand (emctaskmain.cc) calls emcAxisOverrideLimits (taskintf.cc) which sends EMC_MOT_OVERRIDE_LIMITS

Parameter, Type: [axis (in EMC_AXIS_CMD_MSG), int]

9.3.29 EMC_AXIS_SET_OUTPUT_TYPE

Description, NML Type: sets an DAC output value, 130

Obs: currently not used in emc2, needs to go to HAL

Written From: sendAxisSetOutput (emcsh.cc)

Read To: emcTaskIssueCommand (emctaskmain.cc) calls emcAxisSetOutput (taskintf.cc) which sends EMC_MOT_DAC_OUT

Parameter, Type: [axis (in EMC_AXIS_CMD_MSG), int] [output, double]

9.3.30 EMC_AXIS_LOAD_COMP_TYPE

Description, NML Type: loads compensation values from a file, 131

Obs: currently usrMotLoadComp if 0'ed in emc2

Written From: sendAxisLoadComp (emcsh.cc)

Read To: emcTaskIssueCommand (emctaskmain.cc) calls emcAxisLoadComp (minimill | bridgeporttaskintf.cc) which calls usrMotLoadComp

Parameter, Type: [axis (in EMC_AXIS_CMD_MSG), int] [file, char[LINELLEN]]

9.3.31 EMC_AXIS_ALTER_TYPE

Description, NML Type: loads the alter value to modify the axis position, 132

Written From: sendAxisAlter (emcsh.cc)

Read To: emcTaskIssueCommand (emctaskmain.cc) calls emcAxisAlter (taskintf.cc) which calls usrMotAlter

Parameter, Type: [axis (in EMC_AXIS_CMD_MSG), int] [alter, double]

9.3.32 EMC_AXIS_SET_STEP_PARAMS_TYPE

Description, NML Type: was used to set step related params, 133

Obs: currently not used in emc2, needs to go to HAL (maybe directly from the ini, not through NML)

Written From: none

Read To: emcTaskIssueCommand (emctaskmain.cc) calls emcAxisSetStepParams (taskintf.cc) which sends EMC_MOT_SET_STEP_PARAMS

Parameter, Type: [axis (in EMC_AXIS_CMD_MSG), int] [setup_time, double] [hold_time, double]

9.3.33 EMC_AXIS_STAT_TYPE

Description, NML Type: status for axis, not sent as a message but used as is, 199

Written From: none

Read To: none

Parameter, Type: [a HUGE load of params]

9.4 EMC TRAJ

9.4.1 EMC_TRAJ_SET_AXES_TYPE

Description, NML Type: -, 201

Obs: not used

Written From: none

Read To: none

Parameter, Type: [axes, int]

9.4.2 EMC_TRAJ_SET_UNITS_TYPE

Description, NML Type: -, 202

Obs: not used

Written From: none

Read To: none

Parameter, Type: [linearUnits, double] [angularUnits, double]

9.4.3 EMC_TRAJ_SET_CYCLE_TIME_TYPE

Description, NML Type: -, 203

Obs: not used

Written From: none

Read To: none

Parameter, Type: [cycleTime, double]

9.4.4 EMC_TRAJ_SET_MODE_TYPE

Description, NML Type: -, 204

Obs: not used

Written From: none

Read To: none

Parameter, Type: [mode, enum EMC_TRAJ_MODE_ENUM]

9.4.5 EMC_TRAJ_SET_VELOCITY_TYPE

Description, NML Type: sends a request to set the vel, which is in internal units/sec, 205

Written From: sendVelMsg (emccanon.cc)

Read To: emcTaskIssueCommand (emctaskmain.cc) calls emcTrajSetVelocity (minimill | bridge-porttaskintf.cc) which sends EMCMOT_SET_VEL

Parameter, Type: [velocity, double]

9.4.6 EMC_TRAJ_SET_ACCELERATION_TYPE

Description, NML Type: -, 206

Obs: not used

Written From: none

Read To: none

Parameter, Type: [acceleration, double]

9.4.7 EMC_TRAJ_SET_MAX_VELOCITY_TYPE

Description, NML Type: -, 207

Obs: not used

Written From: none

Read To: none

Parameter, Type: [velocity, double]

9.4.8 EMC_TRAJ_SET_MAX_ACCELERATION_TYPE

Description, NML Type: -, 208

Obs: not used

Written From: none

Read To: none

Parameter, Type: [acceleration, double]

9.4.9 EMC_TRAJ_SET_SCALE_TYPE

Description, NML Type: set the feed override to be the percent value, 209

Obs: used for feed override messages

Written From: sendFeedOverride (emcsh.cc)

Read To: emcTaskIssueCommand (emctaskmain.cc) calls emcTrajSetScale (taskintf.cc) which sends EMC_MOT_SCALE

Parameter, Type: [scale, double]

9.4.10 EMC_TRAJ_SET_MOTION_ID_TYPE

Description, NML Type: -, 210

Obs: not used

Written From: none

Read To: none

Parameter, Type: [id, int]

9.4.11 EMC_TRAJ_INIT_TYPE

Description, NML Type: -, 211

Obs: not used

Written From: none

Read To: none

Parameter, Type:

9.4.12 EMC_TRAJ_HALT_TYPE

Description, NML Type: -, 212

Obs: not used

Written From: none

Read To: none

Parameter, Type:

9.4.13 EMC_TRAJ_ENABLE_TYPE

Description, NML Type: -, 213

Obs: not used

Written From: none

Read To: none

Parameter, Type:

9.4.14 EMC_TRAJ_DISABLE_TYPE

Description, NML Type: -, 214

Obs: not used

Written From: none

Read To: none

Parameter, Type:

9.4.15 EMC_TRAJ_ABORT_TYPE

Description, NML Type: causes traj to abort ?, 215

Obs: not used, only read

Written From: none

Read To: emcTaskIssueCommand (emctaskmain.cc) calls emcTrajAbort (taskintf.cc) which sends EMC_MOT_ABORT

Parameter, Type:

9.4.16 EMC_TRAJ_PAUSE_TYPE

Description, NML Type: causes traj to pause ?, 216

Obs: not used, only read

Written From: none

Read To: emcTaskIssueCommand (emctaskmain.cc) calls emcTrajPause (minimill | bridgeporttask-intf.cc) which sends EMCMOT_PAUSE

Parameter, Type:

9.4.17 EMC_TRAJ_STEP_TYPE

Description, NML Type: -, 217

Obs: not used

Written From: none

Read To: none

Parameter, Type:

9.4.18 EMC_TRAJ_RESUME_TYPE

Description, NML Type: causes traj to resume ?, 218

Obs: not used, only read

Written From: none

Read To: emcTaskIssueCommand (emctaskmain.cc) calls emcTrajResume (minimill | bridgeport-taskintf.cc) which sends EMCMOT_RESUME

Parameter, Type:

9.4.19 EMC_TRAJ_DELAY_TYPE

Description, NML Type: sets a delay in the task execution, 219

Obs: used with dwelling

Written From: DWELL (emccanon.cc)

Read To: emcTaskIssueCommand (emctaskmain.cc)

Parameter, Type: [delay, double]

9.4.20 EMC_TRAJ_LINEAR_MOVE_TYPE

Description, NML Type: sends a linear move from the interp to motion, 220

Obs: used

Written From: STRAIGHT_TRAVERSE, ARC_FEED (emccanon.cc)

Read To: checkInterpList, emcTaskIssueCommand (emctaskmain.cc) calls emcTrajLinearMove (minimill | bridgeporttaskintf.cc) which sends EMCMOT_SET_LINE

Parameter, Type: [end, EmcPose]

9.4.21 EMC_TRAJ_CIRCULAR_MOVE_TYPE

Description, NML Type: sends a circular move from the interp to motion, 221

Obs: used

Written From: ARC_FEED (emccanon.cc)

Read To: checkInterpList, emcTaskIssueCommand (emctaskmain.cc) calls emcTrajCircularMove (minimill | bridgeporttaskintf.cc) which sends EMC MOT_SET_CIRCLE

Parameter, Type: [end, EmcPose] [center, PM_CARTESIAN] [normal, PM_CARTESIAN] [turn, int]

9.4.22 EMC_TRAJ_SET_TERM_COND_TYPE

Description, NML Type: choses between blending or exact path mode, 222

Obs: used, seems the interp knows exact PATH, STOP and BLEND, motion however knows only BLEND or STOP

Written From: SET_MOTION_CONTROL_MODE (emccanon.cc)

Read To: emcTaskIssueCommand (emctaskmain.cc) calls emcTrajSetTermCond (minimill | bridgeporttaskintf.cc) which sends EMC MOT_TERM_COND_STOP or EMC MOT_TERM_COND_BLEND

Parameter, Type: [cond, int]

9.4.23 EMC_TRAJ_SET_OFFSET_TYPE

Description, NML Type: is used for tool length offset, 223

Obs: used, the message could transport more than just Z offset used for tool length

Written From: USE_TOOL_LENGTH_OFFSET (emccanon.cc)

Read To: emcTaskIssueCommand (emctaskmain.cc) remembers the origin offset into emcStatus->task.origin

Parameter, Type: [offset, EmcPose]

9.4.24 EMC_TRAJ_SET_ORIGIN_TYPE

Description, NML Type: sets the origin coords ?, 224

Obs: used

Written From: SET_ORIGIN_OFFSETS (emccanon.cc)

Read To: emcTaskIssueCommand (emctaskmain.cc) remembers the tool length offset

Parameter, Type: [origin, EmcPose]

9.4.25 EMC_TRAJ_SET_HOME_TYPE

Description, NML Type: -, 225

Obs: not used

Written From: none

Read To: none

Parameter, Type: [home, EmcPose]

9.4.26 EMC_TRAJ_SET_PROBE_INDEX_TYPE

Description, NML Type: sends the index pin used for probing, 226

Obs: should get obsolete, probin pin should get routed by HAL

Written From: sendSetProbeIndex (emcsh.cc)

Read To: emcTaskIssueCommand (emctaskmain.cc) calls emcTrajSetProbeIndex (minimill | bridgeporttaskintf.cc) which sends EMCMOT_SET_PROBE_INDEX

Parameter, Type: [index, int]

9.4.27 EMC_TRAJ_SET_PROBE_POLARITY_TYPE

Description, NML Type: sends the polarity for the pin used for probing, 227

Obs: should get obsolete, probin pin polarity should get routed by HAL

Written From: sendSetProbePolarity (emcsh.cc)

Read To: emcTaskIssueCommand (emctaskmain.cc) calls emcTrajSetProbePolarity (minimill | bridgeporttaskintf.cc) which sends EMCMOT_SET_PROBE_POLARITY

Parameter, Type: [polarity, int]

9.4.28 EMC_TRAJ_CLEAR_PROBE_TRIPPED_FLAG_TYPE

Description, NML Type: clears the probe tripped, 228

Obs: used

Written From: TURN_PROBE_ON (emccanon.cc) sendClearProbeTrippedFlag (emcsh.cc)

Read To: emcTaskIssueCommand (emctaskmain.cc) calls emcTrajClearProbeTrippedFlag (minimill | bridgeporttaskintf.cc) which sends EMCMOT_CLEAR_PROBE_FLAGS

Parameter, Type:

9.4.29 EMC_TRAJ_PROBE_TYPE

Description, NML Type: performs a straight probe move, 229

Obs: used

Written From: STRAIGHT_PROBE (emccanon.cc) sendProbe (emcsh.cc)

Read To: emcTaskIssueCommand (emctaskmain.cc) calls emcTrajProbe (minimill | bridgeporttaskintf.cc) which sends EMCMOT_PROBE

Parameter, Type: [pos, EmcPose]

9.4.30 EMC_TRAJ_SET_TELEOP_ENABLE_TYPE

Description, NML Type: sets the traj mode to teleop, 230

Obs: used

Written From: sendSetTeleopEnable (emcsh.cc)

Read To: emcTaskIssueCommand (emctaskmain.cc) calls emcTrajSetMode (minimill | bridgeporttaskintf.cc) which sends EMCMOT_TELEOP

Parameter, Type: [enable, int]

9.4.31 EMC_TRAJ_SET_TELEOP_VECTOR_TYPE

Description, NML Type: jogs in teleop mode, 231

Obs: used for jogging in teleop mode

Written From: sendJogCont (emcsh.cc)

Read To: emcTaskIssueCommand (emctaskmain.cc) calls emcTrajSetTeleopVector (minimill | bridge-porttaskintf.cc) which sends EMC_MOT_SET_TELEOP_VECTOR

Parameter, Type: [vector, EmcPose]

9.4.32 EMC_TRAJ_STAT_TYPE

Description, NML Type: status for traj, not sent as a message but used as is, 299

Written From: none

Read To: none

Parameter, Type: [a HUGE load of params]

9.5 EMC MOTION

9.5.1 EMC_MOTION_INIT_TYPE

Description, NML Type: -, 301

Obs: not used

Written From: none

Read To: none

Parameter, Type:

9.5.2 EMC_MOTION_HALT_TYPE

Description, NML Type: -, 302

Obs: not used

Written From: none

Read To: none

Parameter, Type:

9.5.3 EMC_MOTION_ABORT_TYPE

Description, NML Type: -, 303

Obs: not used

Written From: none

Read To: none

Parameter, Type:

9.5.4 EMC_MOTION_SET_AOUT_TYPE

Description, NML Type: sets an analog output value coordinated with motion, 304

Obs: emccanon.cc currently lacks this in emc2, not used in emc2, needs to go to HAL

Written From: none

Read To: emcTaskIssueCommand (emctaskmain.cc) calls emcMotionSetAout (minimill | bridgeport-taskintf.cc) which sends EMCMOT_SET_AOUT

Parameter, Type: [index, unsigned char] [start, double] [end, double] [now, unsigned char]

9.5.5 EMC_MOTION_SET_DOUT_TYPE

Description, NML Type: sets an digital output value coordinated with motion, 305

Obs: emccanon.cc currently lacks this in emc2, not used in emc2, needs to go to HAL

Written From: none

Read To: emcTaskIssueCommand (emctaskmain.cc) calls emcMotionSetDout (minimill | bridgeport-taskintf.cc) which sends EMCMOT_SET_DOUT

Parameter, Type: [index, unsigned char] [start, double] [end, double]

9.5.6 EMC_MOTION_STAT_TYPE

Description, NML Type: status for motion, not sent as a message but used as is, 399

Written From: none

Read To: none

Parameter, Type: [heartbeat, unsigned long int] [traj, EMC_TRAJ_STAT] [axis[EMC_AXIS_MAX], EMC_AXIS_STAT]

9.6 EMC TASK**9.6.1 EMC_TASK_INIT_TYPE**

Description, NML Type: calls the Task init(), 501

Obs: not used, emcTaskInit called directly from emctask_startup()

Written From: none

Read To: emcTaskIssueCommand (emctaskmain.cc) calls emcTaskInit()

Parameter, Type:

9.6.2 EMC_TASK_HALT_TYPE

Description, NML Type: -, 502

Written From: none

Read To: none

Parameter, Type:

9.6.3 EMC_TASK_ABORT_TYPE

Description, NML Type: aborts task, cleans up, 503

Obs: used on shutdown

Written From: sendAbort (emcsh.cc)

Read To: emcTaskIssueCommand (emctaskmain.cc) aborts all

Parameter, Type:

9.6.4 EMC_TASK_SET_MODE_TYPE

Description, NML Type: sets current TASK mode, MANUAL, MDI, AUTO, 504

Obs: used for switching the current mode

Written From: sendManual sendMdi sendAuto (emcsh.cc)

Read To: emcTaskIssueCommand (emctaskmain.cc) calls emcTaskSetMode (emcTask.cc)

Parameter, Type: [mode, enum EMC_TASK_MODE_ENUM]

9.6.5 EMC_TASK_SET_STATE_TYPE

Description, NML Type: , 505

Written From: none

Read To: none

Parameter, Type: [state, enum EMC_TASK_STATE_ENUM]

9.6.6 EMC_TASK_PLAN_OPEN_TYPE

Description, NML Type: , 506

Written From: none

Read To: none

Parameter, Type: [file, char[LINELLEN]]

9.6.7 EMC_TASK_PLAN_RUN_TYPE

Description, NML Type: , 507

Written From: none

Read To: none

Parameter, Type: [line, int]

9.6.8 EMC_TASK_PLAN_READ_TYPE

Description, NML Type: , 508

Written From: none

Read To: none

Parameter, Type:

9.6.9 EMC_TASK_PLAN_EXECUTE_TYPE

Description, NML Type: , 509

Written From: none

Read To: none

Parameter, Type: [command, char[LINELLEN]]

9.6.10 EMC_TASK_PLAN_PAUSE_TYPE

Description, NML Type: , 510

Written From: none

Read To: none

Parameter, Type:

9.6.11 EMC_TASK_PLAN_STEP_TYPE

Description, NML Type: , 511

Written From: none

Read To: none

Parameter, Type:

9.6.12 EMC_TASK_PLAN_RESUME_TYPE

Description, NML Type: , 512

Written From: none

Read To: none

Parameter, Type:

9.6.13 EMC_TASK_PLAN_END_TYPE

Description, NML Type: , 513

Written From: none

Read To: none

Parameter, Type:

9.6.14 EMC_TASK_PLAN_CLOSE_TYPE

Description, NML Type: , 514

Written From: none

Read To: none

Parameter, Type:

9.6.15 EMC_TASK_PLAN_INIT_TYPE

Description, NML Type: , 515

Written From: none

Read To: none

Parameter, Type:

9.6.16 EMC_TASK_PLAN_SYNCH_TYPE

Description, NML Type: , 516

Written From: none

Read To: none

Parameter, Type:

9.6.17 EMC_TASK_STAT_TYPE

Description, NML Type: , 599

Written From: none

Read To: none

Parameter, Type: [heartbeat, unsigned long int] [a HUGE load of params

9.7 EMC TOOL**9.7.1 EMC_TOOL_INIT_TYPE**

Description, NML Type: starts TOOL init, 1101

Obs: used for initializing the IO stuff, should load the tool table too

Written From: emcIoInit (iotaskintf.cc)

Read To: main (ioControl.cc simIoControl.cc) emc_io_get_command (iosh.cc)

Parameter, Type:

9.7.2 EMC_TOOL_HALT_TYPE

Description, NML Type: stops TOOL, 1102

Obs: used for stopping IO, doesn't actually do anything so far, in EMC1 it was send to subordinates too (spindle, aux, coolant, lube)

Written From: emcIoHalt (iotaskintf.cc)

Read To: main (ioControl.cc simIoControl.cc) emc_io_get_command (iosh.cc)

Parameter, Type:

9.7.3 EMC_TOOL_ABORT_TYPE

Description, NML Type: aborts TOOL, 1103

Obs: used for aborting IO, doesn't actually do anything so far, in EMC1 it was send to subordinates too (spindle, aux, coolant, lube)

Written From: emcIoAbort (iotaskintf.cc)

Read To: main (ioControl.cc simIoControl.cc) emc_io_get_command (iosh.cc)

Parameter, Type:

9.7.4 EMC_TOOL_PREPARE_TYPE

Description, NML Type: prepares a tool for tool changing, 1104

Obs: loads the prep tool in emcioStatus.tool.toolPrepped, should go to PLC and make it move the desired tool in the toolchanging position

Written From: SELECT_TOOL (emccanon.cc)

Read To: emcTaskIssueCommand (emctaskmain.cc) calls emcToolPrepare (iotaskintf.cc) which sends it to the IO controller

Parameter, Type: [tool, int]

9.7.5 EMC_TOOL_LOAD_TYPE

Description, NML Type: changes the current tool with the prepared tool, 1105

Obs: loads the actual tool, makes toolprepped=0

Written From: CHANGE_TOOL (emccanon.cc)

Read To: emcTaskIssueCommand (emctaskmain.cc) calls emcToolLoad (iotaskintf.cc) which sends it to the IO controller, main (simIoControl.cc ioControl.cc)

Parameter, Type:

9.7.6 EMC_TOOL_UNLOAD_TYPE

Description, NML Type: unloads the current tool from the spindle, 1106

Obs: unloads the current tool, not written in EMC2 only read

Written From: none

Read To: emcTaskIssueCommand (emctaskmain.cc) calls emcToolUnLoad (iotaskintf.cc) which sends it to the IO controller, main (simIoControl.cc ioControl.cc)

Parameter, Type:

9.7.7 EMC_TOOL_LOAD_TOOL_TABLE_TYPE

Description, NML Type: loads the tool table, without this tool comp. can't be made, 1107

Written From: sendLoadToolTable (emcsh.cc)

Read To: none

Parameter, Type: [file, char[LINELLEN]]

9.7.8 EMC_TOOL_SET_OFFSET_TYPE

Description, NML Type: , 1108

Written From: none

Read To: none

Parameter, Type: [tool, int] [length, double] [diameter, double]

9.7.9 EMC_TOOL_STAT_TYPE

Description, NML Type: , 1199

Written From: none

Read To: none

Parameter, Type:

9.8 EMC AUX

9.8.1 EMC_AUX_INIT_TYPE

Description, NML Type: , 1201

Written From: none

Read To: none

Parameter, Type:

9.8.2 EMC_AUX_HALT_TYPE

Description, NML Type: , 1202

Written From: none

Read To: none

Parameter, Type:

9.8.3 EMC_AUX_ABORT_TYPE

Description, NML Type: , 1203

Written From: none

Read To: none

Parameter, Type:

9.8.4 EMC_AUX_DIO_WRITE_TYPE

Description, NML Type: , 1204

Written From: none

Read To: none

Parameter, Type: [index, int] [value, int]

9.8.5 EMC_AUX_AIO_WRITE_TYPE

Description, NML Type: , 1205

Written From: none

Read To: none

Parameter, Type: [index, int] [value, double]

9.8.6 EMC_AUX_ESTOP_ON_TYPE

Description, NML Type: , 1206

Written From: none

Read To: none

Parameter, Type:

9.8.7 EMC_AUX_ESTOP_OFF_TYPE

Description, NML Type: , 1207

Written From: none

Read To: none

Parameter, Type:

9.8.8 EMC_AUX_STAT_TYPE

Description, NML Type: , 1299

Written From: none

Read To: none

Parameter, Type: [estop, int] [estopIn, int] [dout, unsigned char[EMC_AUX_MAX_DOUT]] [din, unsigned char[EMC_AUX_MAX_DIN]] [aout, double[EMC_AUX_MAX_AOUT]] [ain, double[EMC_AUX_MAX_AIN]]

9.9 EMC SPINDLE

9.9.1 EMC_SPINDLE_INIT_TYPE

Description, NML Type: , 1301

Written From: none

Read To: none

Parameter, Type:

9.9.2 EMC_SPINDLE_HALT_TYPE

Description, NML Type: , 1302

Written From: none

Read To: none

Parameter, Type:

9.9.3 EMC_SPINDLE_ABORT_TYPE

Description, NML Type: , 1303

Written From: none

Read To: none

Parameter, Type:

9.9.4 EMC_SPINDLE_ON_TYPE

Description, NML Type: , 1304

Written From: none

Read To: none

Parameter, Type: [speed, double]

9.9.5 EMC_SPINDLE_OFF_TYPE

Description, NML Type: , 1305

Written From: none

Read To: none

Parameter, Type:

9.9.6 EMC_SPINDLE_FORWARD_TYPE

Description, NML Type: , 1306

Written From: none

Read To: none

Parameter, Type: [speed, double]

9.9.7 EMC_SPINDLE_REVERSE_TYPE

Description, NML Type: , 1307

Written From: none

Read To: none

Parameter, Type: [speed, double]

9.9.8 EMC_SPINDLE_STOP_TYPE

Description, NML Type: , 1308

Written From: none

Read To: none

Parameter, Type: [speed, double]

9.9.9 EMC_SPINDLE_INCREASE_TYPE

Description, NML Type: , 1309

Written From: none

Read To: none

Parameter, Type: [speed, double]

9.9.10 EMC_SPINDLE_DECREASE_TYPE

Description, NML Type: , 1310

Written From: none

Read To: none

Parameter, Type:

9.9.11 EMC_SPINDLE_CONSTANT_TYPE

Description, NML Type: , 1311

Written From: none

Read To: none

Parameter, Type:

9.9.12 EMC_SPINDLE_BRAKE_RELEASE_TYPE

Description, NML Type: , 1312

Written From: none

Read To: none

Parameter, Type:

9.9.13 EMC_SPINDLE_BRAKE_ENGAGE_TYPE

Description, NML Type: , 1313

Written From: none

Read To: none

Parameter, Type:

9.9.14 EMC_SPINDLE_ENABLE_TYPE

Description, NML Type: , 1314

Written From: none

Read To: none

Parameter, Type:

9.9.15 EMC_SPINDLE_DISABLE_TYPE

Description, NML Type: , 1315

Written From: none

Read To: none

Parameter, Type:

9.9.16 EMC_SPINDLE_STAT_TYPE

Description, NML Type: , 1399

Written From: none

Read To: none

Parameter, Type: [speed, double] [direction, int] [brake, int] [increasing, int] [enabled, int]

9.10 EMC COOLANT

9.10.1 EMC_COOLANT_INIT_TYPE

Description, NML Type: initializes the COOLANT controller (currently part of the IO controller), 1401

Obs: not written in emc2, only read, in EMC1 it was sent when TOOL_INIT was sent

Written From: none

Read To: main (ioControl.cc simIoControl.cc) emc_io_get_command (iosh.cc)

Parameter, Type: none

9.10.2 EMC_COOLANT_HALT_TYPE

Description, NML Type: stops the COOLANT, 1402

Obs: not written in emc2, only read, in EMC1 it was sent when TOOL_HALT was sent

Written From: none

Read To: main (ioControl.cc simIoControl.cc) emc_io_get_command (iosh.cc)

Parameter, Type: none

9.10.3 EMC_COOLANT_ABORT_TYPE

Description, NML Type: aborts the COOLANT, 1403

Obs: not written in emc2, only read, in EMC1 it was sent when TOOL_ABORT was sent

Written From: none

Read To: main (ioControl.cc simIoControl.cc) emc_io_get_command (iosh.cc)

Parameter, Type: none

9.10.4 EMC_COOLANT_MIST_ON_TYPE

Description, NML Type: starts MIST coolant, 1404

Obs: used, written by emccanon.cc

Written From: MIST_ON (emccanon.cc) sendMistOn (emcsh.cc)

Read To: emcTaskIssueCommand (emctaskmain.cc) calls emcCoolantMistOn (iotaskintf.cc) which sends it to the IO controller, main (simIoControl.cc ioControl.cc) iosh.cc

Parameter, Type: none

9.10.5 EMC_COOLANT_MIST_OFF_TYPE

Description, NML Type: stops MIST coolant, 1405

Obs: used, written by emccanon.cc

Written From: MIST_OFF (emccanon.cc) sendMistOff (emcsh.cc)

Read To: emcTaskIssueCommand (emctaskmain.cc) calls emcCoolantMistOff (iotaskintf.cc) which sends it to the IO controller, main (simIoControl.cc ioControl.cc) iosh.cc

Parameter, Type: none

9.10.6 EMC_COOLANT_FLOOD_ON_TYPE

Description, NML Type: starts FLOOD coolant, 1406

Obs: used, written by emccanon.cc

Written From: FLOOD_ON (emccanon.cc) sendFloodOn (emcsh.cc)

Read To: emcTaskIssueCommand (emctaskmain.cc) calls emcCoolantFloodOn (iotaskintf.cc) which sends it to the IO controller, main (simIoControl.cc ioControl.cc) iosh.cc

Parameter, Type: none

9.10.7 EMC_COOLANT_FLOOD_OFF_TYPE

Description, NML Type: stops FLOOD coolant, 1407

Obs: used, written by emccanon.cc

Written From: FLOOD_OFF (emccanon.cc) sendFloodOff (emcsh.cc)

Read To: emcTaskIssueCommand (emctaskmain.cc) calls emcCoolantFloodOff (iotaskintf.cc) which sends it to the IO controller, main (simIoControl.cc ioControl.cc) iosh.cc

Parameter, Type: none

9.10.8 EMC_COOLANT_STAT_TYPE

Description, NML Type: status for coolant, not sent as a message but used as is, 1499

Written From: none

Read To: none

Parameter, Type: [mist, int] [flood, int]

9.11 EMC LUBE

9.11.1 EMC_LUBE_INIT_TYPE

Description, NML Type: initializes the LUBE controller (currently part of the IO controller), 1501

Obs: not written in emc2, only read, in EMC1 it was sent when TOOL_INIT was sent

Written From: none

Read To: main (ioControl.cc simIoControl.cc) emc_io_get_command (iosh.cc)

Parameter, Type: none

9.11.2 EMC_LUBE_HALT_TYPE

Description, NML Type: stops the LUBE, 1502

Obs: not written in emc2, only read, in EMC1 it was sent when TOOL_HALT was sent

Written From: none

Read To: main (ioControl.cc simIoControl.cc) emc_io_get_command (iosh.cc)

Parameter, Type: none

9.11.3 EMC_LUBE_ABORT_TYPE

Description, NML Type: aborts the LUBE, 1503

Obs: not written in emc2, only read, in EMC1 it was sent when TOOL_ABORT was sent

Written From: none

Read To: main (ioControl.cc simIoControl.cc) emc_io_get_command (iosh.cc)

Parameter, Type: none

9.11.4 EMC_LUBE_ON_TYPE

Description, NML Type: starts LUBE, 1504

Obs: written only by the GUI's (emcsh.cc)

Written From: sendLubeOn (emcsh.cc)

Read To: emcTaskIssueCommand (emctaskmain.cc) calls emcLubeOn (iotaskintf.cc) which sends it to the IO controller, main (ioControl.cc simIoControl.cc) emc_io_get_command (iosh.cc)

Parameter, Type: none

9.11.5 EMC_LUBE_OFF_TYPE

Description, NML Type: stops LUBE, 1505

Obs: written only by the GUI's (emcsh.cc)

Written From: sendLubeOff (emcsh.cc)

Read To: emcTaskIssueCommand (emctaskmain.cc) calls emcLubeOff (iotaskintf.cc) which sends it to the IO controller, main (ioControl.cc simIoControl.cc) emc_io_get_command (iosh.cc)

Parameter, Type: none

9.11.6 EMC_LUBE_STAT_TYPE

Description, NML Type: status for LUBE, not sent as a message but used as is, 1599

Written From: none

Read To: none

Parameter, Type: [on, int] [level, int]

9.12 EMC SET

9.12.1 EMC_SET_DIO_INDEX_TYPE

Description, NML Type: , 5001

Obs: not used

Written From: none

Read To: none

Parameter, Type: [value, int] [index, int]

9.12.2 EMC_SET_AIO_INDEX_TYPE

Description, NML Type: , 5002

Obs: not used

Written From: none

Read To: none

Parameter, Type: [value, int] [index, int]

9.12.3 EMC_SET_POLARITY_TYPE

Description, NML Type: , 5003

Obs: not used

Written From: none

Read To: none

Parameter, Type: [value, int] [polarity, int]

9.13 EMC IO

9.13.1 EMC_IO_INIT_TYPE

Description, NML Type: , 1601

Obs: not written in emc2, only read

Written From: none

Read To: main (ioControl.cc simIoControl.cc) emc_io_get_command (iosh.cc)

Parameter, Type:

9.13.2 EMC_IO_HALT_TYPE

Description, NML Type: , 1602

Obs: not used

Written From: none

Read To: none

Parameter, Type:

9.13.3 EMC_IO_ABORT_TYPE

Description, NML Type: , 1603

Obs: not used

Written From: none

Read To: none

Parameter, Type:

9.13.4 EMC_IO_SET_CYCLE_TIME_TYPE

Description, NML Type: , 1604

Obs: not used

Written From: none

Read To: none

Parameter, Type: [cycleTime, double]

9.13.5 EMC_IO_STAT_TYPE

Description, NML Type: status for IO, not sent as a message but used as is, 1699

Written From: none

Read To: none

Parameter, Type: [heartbeat, unsigned long int] [tool, EMC_TOOL_STAT] [spindle, EMC_SPINDLE_STAT]
[coolant, EMC_COOLANT_STAT] [aux, EMC_AUX_STAT] [lube, EMC_LUBE_STAT]

9.14 EMC INIT, HALT, & ABORT

9.14.1 EMC_INIT_TYPE

Description, NML Type: , 1901

Obs: not used

Written From: none

Read To: none

Parameter, Type:

9.14.2 EMC_HALT_TYPE

Description, NML Type: , 1902

Obs: not used

Written From: none

Read To: none

Parameter, Type:

9.14.3 EMC_ABORT_TYPE

Description, NML Type: , 1903

Obs: not used

Written From: none

Read To: none

Parameter, Type:

9.15 EMC LOG

9.15.1 EMC_LOG_OPEN_TYPE

Description, NML Type: opens the log file, 1904

Obs: not used in emc2, it was used in EMC[1] from emclog.tcl

Written From: sendLogOpen (emcsh.cc)

Read To: emcTaskIssueCommand (emctaskmain.cc) calls emcLogOpen (taskintf.cc) which sends EMCMOT_OPEN_LOG

Parameter, Type: [file, char[LINELLEN]] [type, int] [size, int] [skip, int] [which, int] [triggerType, int] [triggerVar, int] [triggerThreshold, double]

9.15.2 EMC_LOG_START_TYPE

Description, NML Type: starts logging, 1905

Obs: not used in emc2, it was used in EMC[1] from emclog.tcl

Written From: sendLogStart (emcsh.cc)

Read To: emcTaskIssueCommand (emctaskmain.cc) calls emcLogStart (taskintf.cc) which sends EMCMOT_START_LOG

Parameter, Type: none

9.15.3 EMC_LOG_STOP_TYPE

Description, NML Type: stops logging, 1906

Obs: not used in emc2, it was used in EMC[1] from emclog.tcl

Written From: sendLogStop (emcsh.cc)

Read To: emcTaskIssueCommand (emctaskmain.cc) calls emcLogStop (taskintf.cc) which sends EMCMOT_STOP_LOG

Parameter, Type: none

9.15.4 EMC_LOG_CLOSE_TYPE

Description, NML Type: closes the log file, 1907

Obs: not used in emc2, it was used in EMC[1] from emclog.tcl

Written From: sendLogClose (emcsh.cc)

Read To: emcTaskIssueCommand (emctaskmain.cc) calls emcLogClose (taskintf.cc) which sends EMCMOT_CLOSE_LOG

Parameter, Type: none

9.16 EMC_STAT

9.16.1 EMC_STAT_TYPE

Description, NML Type: aggregation of all the status messages, not sent as a message but used as is all over the place, 1999

Written From: none

Read To: none

Parameter, Type: [task, EMC_TASK_STAT] [motion, EMC_MOTION_STAT] [io, EMC_IO_STAT] [log-File, char[LINELLEN]] [logType, int] [logSize, int] [logSkip, int] [logOpen, int] [logStarted, int] [log-Points, int]

Part III

Coding Style Guide

Appendix A

Coding Style

This chapter describes the source code style preferred by the EMC team.

A.1 Do no harm

When making small edits to code in a style different than the one described below, observe the local coding style. Rapid changes from one coding style to another decrease code readability.

Never check in code after running “indent” on it. The whitespace changes introduced by indent make it more difficult to follow the revision history of the file.

Do not use an editor that makes unneeded changes to whitespace (e.g., which replaces 8 spaces with a tabstop on a line not otherwise modified, or word-wraps lines not otherwise modified)

A.2 Tab Stops

A tab stop always corresponds to 8 spaces. Do not write code that displays correctly only with a differing tab stop setting.

A.3 Indentation

Use 4 spaces per level of indentation. Combining 8 spaces into one tab is acceptable but not required.

A.4 Placing Braces

Put the opening brace last on the line, and put the closing brace first:

```
if(x) {  
    f();  
}
```

The closing brace is on a line of its own, except in the cases where it is followed by a continuation of the same statement, i.e. a "while" in a do-statement or an "else" in an if-statement, like this:

```
do {
    body();
} while (condition);
```

and

```
if(x == y) {
    ..
} else if(x > y) {
    ...
} else {
    ....
}some detail
```

This brace-placement also minimizes the number of empty (or almost empty) lines, which allows a greater amount of code or comments to be visible at once in a terminal of a fixed size.

A.5 Naming

C is a Spartan language, and so should your naming be. Unlike Modula-2 and Pascal programmers, C programmers do not use cute names like `ThisVariableIsATemporaryCounter`. A C programmer would call that variable `"tmp"`, which is much easier to write, and not the least more difficult to understand.

However, descriptive names for global variables are a must. To call a global function `"foo"` is a shooting offense.

GLOBAL variables (to be used only if you **really** need them) need to have descriptive names, as do global functions. If you have a function that counts the number of active users, you should call that `"count_active_users()"` or similar, you should **not** call it `"cntusr()"`.

Encoding the type of a function into the name (so-called Hungarian notation) is brain damaged - the compiler knows the types anyway and can check those, and it only confuses the programmer. No wonder Microsoft makes buggy programs.

LOCAL variable names should be short, and to the point. If you have some random integer loop counter, it should probably be called `"i"`. Calling it `"loop_counter"` is non-productive, if there is no chance of it being mis-understood. Similarly, `"tmp"` can be just about any type of variable that is used to hold a temporary value.

If you are afraid to mix up your local variable names, you have another problem, which is called the function-growth-hormone-imbalance syndrome. See next chapter.

A.6 Functions

Functions should be short and sweet, and do just one thing. They should fit on one or two screenfuls of text (the ISO/ANSI screen size is 80x24, as we all know), and do one thing and do that well.

The maximum length of a function is inversely proportional to the complexity and indentation level of that function. So, if you have a conceptually simple function that is just one long (but simple) case-statement, where you have to do lots of small things for a lot of different cases, it's OK to have a longer function.

However, if you have a complex function, and you suspect that a less-than-gifted first-year high-school student might not even understand what the function is all about, you should adhere to the maximum limits all the more closely. Use helper functions with descriptive names (you can ask the

compiler to in-line them if you think it's performance-critical, and it will probably do a better job of it that you would have done).

Another measure of the function is the number of local variables. They shouldn't exceed 5-10, or you're doing something wrong. Re-think the function, and split it into smaller pieces. A human brain can generally easily keep track of about 7 different things, anything more and it gets confused. You know you're brilliant, but maybe you'd like to understand what you did 2 weeks from now.

A.7 Commenting

Comments are good, but there is also a danger of over-commenting. NEVER try to explain HOW your code works in a comment: it's much better to write the code so that the **working** is obvious, and it's a waste of time to explain badly written code.

Generally, you want your comments to tell WHAT your code does, not HOW. A boxed comment describing the function, return value, and who calls it placed above the body is good. Also, try to avoid putting comments inside a function body: if the function is so complex that you need to separately comment parts of it, you should probably re-read the Functions section again. You can make small comments to note or warn about something particularly clever (or ugly), but try to avoid excess. Instead, put the comments at the head of the function, telling people what it does, and possibly WHY it does it.

If comments along the lines of `/* Fix me */` are used, please, please, say why something needs fixing. When a change has been made to the affected portion of code, either remove the comment, or amend it to indicate a change has been made and needs testing.

A.8 Shell Scripts & Makefiles

Not everyone has the same tools and packages installed. Some people use vi, others emacs - A few even avoid having either package installed, preferring a lightweight text editor such as nano or the one built in to Midnight Commander.

gawk versus mawk - Again, not everyone will have gawk installed, mawk is nearly a tenth of the size and yet conforms to the Posix AWK standard. If some obscure gawk specific command is needed that mawk does not provide, then the script will break for some users. The same would apply to mawk. In short, use the generic awk invocation in preference to gawk or mawk.

A.9 C++ Conventions

C++ coding styles are always likely to end up in heated debates (a bit like the emacs versus vi arguments). One thing is certain however, a common style used by everyone working on a project leads to uniform and readable code.

Naming conventions: Constants either from `#defines` or enumerations should be in upper case through out. Rationale: Makes it easier to spot compile time constants in the source code. e.g. `EMC_MESSAGE_TYPE`

Classes and Namespaces should capitalize the first letter of each word and avoid underscores. Rationale: Identifies classes, constructors and destructors. e.g. `GtkWidget`

Methods (or function names) should follow the C recommendations above and should not include the class name. Rationale: Maintains a common style across C and C++ sources. e.g. `get_foo_bar()`

However, boolean methods are easier to read if they avoid underscores and use an 'is' prefix (not to be confused with methods that manipulate a boolean). Rationale: Identifies the return value as TRUE or FALSE and nothing else. e.g. `isOpen`, `isHomed`

Do NOT use "Not" in a boolean name, it leads only leads to confusion when doing logical tests. e.g. `isNotOnLimit` or `is_not_on_limit` are BAD.

Variable names should avoid the use of upper case and underscores except for local or private names. The use of global variables should be avoided as much as possible. Rationale: Clarifies which are variables and which are methods. Public: e.g. `axislimit` Private: e.g. `maxvelocity_`

Specific method naming conventions

The terms `get` and `set` should be used where an attribute is accessed directly. Rationale: Indicates the purpose of the function or method. e.g. `get_foo` `set_bar`

For methods involving boolean attributes, `set` & `reset` is preferred. Rationale: As above. e.g. `set_amp_enable` `reset_amp_fault`

Math intensive methods should use `compute` as a prefix. Rationale: Shows that it is computationally intensive and will hog the CPU. e.g. `compute_PID`

Abbreviations in names should be avoided where possible - The exception is for local variable names. Rationale: Clarity of code. e.g. `pointer` is preferred over `ptr` `compute` is preferred over `cmp` `compare` is again preferred over `cmp`.

Enumerates and other constants can be prefixed by a common type name e.g. `enum COLOR { COLOR_RED, COLOR_BLUE };`

Excessive use of macros and defines should be avoided - Using simple methods or functions is preferred. Rationale: Improves the debugging process.

Include Statements Header files must be included at the top of a source file and not scattered throughout the body. They should be sorted and grouped by their hierarchical position within the system with the low level files included first. Include file paths should NEVER be absolute - Use the compiler `-I` flag instead. Rationale: Headers may not be in the same place on all systems.

Pointers and references should have their reference symbol next to the variable name rather than the type name. Rationale: Reduces confusion. e.g. `float *x` or `int &i`

Implicit tests for zero should not be used except for boolean variables. e.g. `if (spindle_speed != 0)` NOT `if (spindle_speed)`

Only loop control statements must be included in a `for()` construct. e.g. `sum = 0; for (i = 0; i < 10; i++) { sum += value[i]; }`

NOT `for (i = 0, sum =0; i < 10; i++) sum += value[i];`

Likewise, executable statements in conditionals must be avoided. e.g. `if (fd = open(file_name)) is bad.`

Complex conditional statements should be avoided - Introduce temporary boolean variables instead.

Parentheses should be used in plenty in mathematical expressions - Do not rely on operator precedence when an extra parentheses would clarify things.

File names: C++ sources and headers use `.cc` and `.hh` extension. The use of `.c` and `.h` are reserved for plain C. Headers are for class, method, and structure declarations, not code (unless the functions are declared inline).

A.10 Python coding standards

Use the PEP 8 <http://www.python.org/dev/peps/pep-0008/> style for Python code.

A.11 Comp coding standards

In the declaration portion of a .comp file, begin each declaration at the first column. Insert extra blank lines when they help group related items.

In the code portion of a .comp file, follow normal C coding style.

Part IV

Glossary

Appendix B

Glossary

A listing of terms and what they mean. Some terms have a general meaning and several additional meanings for users, installers, and developers.

Acme Screw A type of lead-screw that uses an acme thread form. Acme threads have somewhat lower friction and wear than simple triangular threads, but ball-screws are lower yet. Most manual machine tools use acme lead-screws.

Axis One of the computer control movable parts of the machine. For a typical vertical mill, the table is the X axis, the saddle is the Y axis, and the quill or knee is the Z axis. Additional linear axes parallel to X, Y, and Z are called U, V, and W respectively. Angular axes like rotary tables are referred to as A, B, and C.

Axis One of the Graphical User Interfaces available to users of EMC2. Features the modern use of menus and mouse buttons while automating and hiding some of the more traditional EMC2 controls. It is the only open-source interface that displays the entire tool path as soon as a file is opened.

Backlash The amount of "play" or lost motion that occurs when direction is reversed in a lead screw. or other mechanical motion driving system. It can result from nuts that are loose on leadscrews, slippage in belts, cable slack, "wind-up" in rotary couplings, and other places where the mechanical system is not "tight". Backlash will result in inaccurate motion, or in the case of motion caused by external forces (think cutting tool pulling on the work piece) the result can be broken cutting tools. This can happen because of the sudden increase in chip load on the cutter as the work piece is pulled across the backlash distance by the cutting tool.

Backlash Compensation - Any technique that attempts to reduce the effect of backlash without actually removing it from the mechanical system. This is typically done in software in the controller. This can correct the final resting place of the part in motion but fails to solve problems related to direction changes while in motion (think circular interpolation) and motion that is caused when external forces (think cutting tool pulling on the work piece) are the source of the motion.

Ball Screw A type of lead-screw that uses small hardened steel balls between the nut and screw to reduce friction. Ball-screws have very low friction and backlash, but are usually quite expensive.

Ball Nut A special nut designed for use with a ball-screw. It contains an internal passage to recirculate the balls from one end of the screw to the other.

CNC Computer Numerical Control. The general term used to refer to computer control of machinery. Instead of a human operator turning cranks to move a cutting tool, CNC uses a computer and motors to move the tool, based on a part program .

- Comp** A tool used to build, compile and install EMC2 HAL components.
- Configuration(n)** A directory containing a set of configuration files. Custom configurations are normally saved in the users home/emc2/configs directory. These files include EMC's traditional INI file and HAL files. A configuration may also contain several general files that describe tools, parameters, and NML connections.
- Configuration(v)** The task of setting up EMC2 so that it matches the hardware on a machine tool.
- Coordinate Measuring Machine** A Coordinate Measuring Machine is used to make many accurate measurements on parts. These machines can be used to create CAD data for parts where no drawings can be found, when a hand-made prototype needs to be digitized for moldmaking, or to check the accuracy of machined or molded parts.
- Display units** The linear and angular units used for onscreen display.
- DRO** A Digital Read Out is a device attached to the slides of a machine tool or other device which has parts that move in a precise manner to indicate the current location of the tool with respect to some reference position. Nearly all DRO's use linear quadrature encoders to pick up position information from the machine.
- EDM** EDM is a method of removing metal in hard or difficult to machine or tough metals, or where rotating tools would not be able to produce the desired shape in a cost-effective manner. An excellent example is rectangular punch dies, where sharp internal corners are desired. Milling operations can not give sharp internal corners with finite diameter tools. A wire EDM machine can make internal corners with a radius only slightly larger than the wire's radius. A 'sinker' EDM can make corners with a radius only slightly larger than the radius on the corner of the convex EDM electrode.
- EMC** The Enhanced Machine Controller. Initially a NIST project. EMC is able to run a wide range of motion devices.
- EMCIO** The module within EMC that handles general purpose I/O, unrelated to the actual motion of the axes.
- EMCMOT** The module within EMC that handles the actual motion of the cutting tool. It runs as a real-time program and directly controls the motors.
- Encoder** A device to measure position. Usually a mechanical-optical device, which outputs a quadrature signal. The signal can be counted by special hardware, or directly by the parport with emc2.
- Feed** Relatively slow, controlled motion of the tool used when making a cut.
- Feed rate** The speed at which a motion occurs. In manual mode, jog speed can be set from the graphical interface. In auto or mdi mode feed rate is commanded using a (f) word. F10 would mean ten units per minute.
- Feedback** A method (e.g., quadrature encoder signals) by which emc receives information about the position of motors
- Feed rate Override** A manual, operator controlled change in the rate at which the tool moves while cutting. Often used to allow the operator to adjust for tools that are a little dull, or anything else that requires the feed rate to be "tweaked".
- Floating Point Number** A number that has a decimal point. (12.300) In HAL it is known as float.
- G-Code** The generic term used to refer to the most common part programming language. There are several dialects of G-code, EMC uses RS274/NGC.
- GUI** Graphical User Interface.

General A type of interface that allows communications between a computer and human (in most cases) via the manipulation of icons and other elements (widgets) on a computer screen.

EMC An application that presents a graphical screen to the machine operator allowing manipulation of machine and the corresponding controlling program.

HAL Hardware Abstraction Layer. At the highest level, it is simply a way to allow a number of building blocks to be loaded and interconnected to assemble a complex system. Many of the building blocks are drivers for hardware devices. However, HAL can do more than just configure hardware drivers.

Home A specific location in the machine's work envelope that is used to make sure the computer and the actual machine both agree on the tool position.

ini file A text file that contains most of the information that configures EMC for a particular machine

Instance One can have an instance of a class or a particular object. The instance is the actual object created at runtime. In programmer jargon, the Lassie object is an instance of the Dog class.

Joint Coordinates These specify the angles between the individual joints of the machine. See also Kinematics

Jog Manually moving an axis of a machine. Jogging either moves the axis a fixed amount for each key-press, or moves the axis at a constant speed as long as you hold down the key.

kernel-space See real-time.

Kinematics The position relationship between world coordinates and joint coordinates of a machine. There are two types of kinematics. Forward kinematics is used to calculate world coordinates from joint coordinates. Inverse kinematics is used for exactly opposite purpose. Note that kinematics does not take into account, the forces, moments etc. on the machine. It is for positioning only.

Lead-screw An screw that is rotated by a motor to move a table or other part of a machine. Lead-screws are usually either ball-screws or acme screws, although conventional triangular threaded screws may be used where accuracy and long life are not as important as low cost.

Machine units The linear and angular units used for machine configuration. These units are used in the inifile. HAL pins and parameters are also generally in machine units.

MDI Manual Data Input. This is a mode of operation where the controller executes single lines of G-code as they are typed by the operator.

NIST National Institute of Standards and Technology. An agency of the Department of Commerce in the United States.

Offsets

Part Program A description of a part, in a language that the controller can understand. For EMC, that language is RS-274/NGC, commonly known as G-code.

Program Units The linear and angular units used for part programs.

Python General-purpose, very high-level programming language. Used in EMC2 for the Axis GUI, the Stepconf configuration tool, and several G-code programming scripts.

Rapid Fast, possibly less precise motion of the tool, commonly used to move between cuts. If the tool meets the material during a rapid, it is probably a bad thing!

- Real-time** Software that is intended to meet very strict timing deadlines. Under Linux, in order to meet these requirements it is necessary to install RTAI or RTLINUX and build the software to run in those special environments. For this reason real-time software runs in kernel-space.
- RTAI** Real Time Application Interface, see <https://www.rtai.org/>, one of two real-time extensions for Linux that EMC can use to achieve real-time performance.
- RTLINUX** See <http://www.rtlinux.org>, one of two real-time extensions for Linux that EMC can use to achieve real-time performance.
- RTAPI** A portable interface to real-time operating systems including RTAI and RTLINUX
- RS-274/NGC** The formal name for the language used by EMC part programs.
- Servo Motor** A special kind of motor that uses error-sensing feedback to correct the position of an actuator.
- Servo Loop** A control loop used to control position or velocity of a motor equipped with a feedback device.
- Signed Integer** A whole number that can have a positive or negative sign. (-12) In HAL it is known as s32.
- Spindle** On a mill or drill, the spindle holds the cutting tool. On a lathe, the spindle holds the workpiece.
- Spindle Speed Override** A manual, operator controlled change in the rate at which the tool rotates while cutting. Often used to allow the operator to adjust for chatter caused by the cutter's teeth. Spindle Speed Override assume that the EMC2 software has been configured to control spindle speed.
- Stepconf** An EMC2 configuration wizard. It is able to handle many step-and-direction motion command based machines. Writes a full configuration after the user answers a few questions about the computer and machine to be run with.
- Stepper Motor** A type of motor that turns in fixed steps. By counting steps, it is possible to determine how far the motor has turned. If the load exceeds the torque capability of the motor, it will skip one or more steps, causing position errors.
- TASK** The module within EMC that coordinates the overall execution and interprets the part program.
- Tcl/Tk** A scripting language and graphical widget toolkit with which several of the EMC's GUI's and selection wizards were written.
- Traverse Move** A move in a straight line from the start point to the end point.
- Units** See "Machine Units", "Display Units", or "Program Units".
- Unsigned Integer** A whole number that has no sign. (123) In HAL it is known as u32.
- World Coordinates** This is the absolute frame of reference. It gives coordinates in terms of a fixed reference frame that is attached to some point (generally the base) of the machine tool.

Appendix C

Legal Section

Appendix D

Legal Section

D.1 Copyright Terms

Copyright (c) 2000 LinuxCNC.org

Permission is granted to copy, distribute and/or modify this document under the terms of the GNU Free Documentation License, Version 1.1 or any later version published by the Free Software Foundation; with no Invariant Sections, no Front-Cover Texts, and one Back-Cover Text: "This EMC Handbook is the product of several authors writing for linuxCNC.org. As you find it to be of value in your work, we invite you to contribute to its revision and growth." A copy of the license is included in the section entitled "GNU Free Documentation License". If you do not find the license you may order a copy from Free Software Foundation, Inc. 59 Temple Place, Suite 330, Boston, MA 02111-1307

D.2 GNU Free Documentation License

GNU Free Documentation License Version 1.1, March 2000

Copyright (C) 2000 Free Software Foundation, Inc. 59 Temple Place, Suite 330, Boston, MA 02111-1307 USA
Everyone is permitted to copy and distribute verbatim copies of this license document, but changing it is not allowed.

0. PREAMBLE

The purpose of this License is to make a manual, textbook, or other written document "free" in the sense of freedom: to assure everyone the effective freedom to copy and redistribute it, with or without modifying it, either commercially or noncommercially. Secondly, this License preserves for the author and publisher a way to get credit for their work, while not being considered responsible for modifications made by others.

This License is a kind of "copyleft", which means that derivative works of the document must themselves be free in the same sense. It complements the GNU General Public License, which is a copyleft license designed for free software.

We have designed this License in order to use it for manuals for free software, because free software needs free documentation: a free program should come with manuals providing the same freedoms that the software does. But this License is not limited to software manuals; it can be used for any textual work, regardless of subject matter or whether it is published as a printed book. We recommend this License principally for works whose purpose is instruction or reference.

1. APPLICABILITY AND DEFINITIONS

This License applies to any manual or other work that contains a notice placed by the copyright holder saying it can be distributed under the terms of this License. The "Document", below, refers to any such manual or work. Any member of the public is a licensee, and is addressed as "you".

A "Modified Version" of the Document means any work containing the Document or a portion of it, either copied verbatim, or with modifications and/or translated into another language.

A "Secondary Section" is a named appendix or a front-matter section of the Document that deals exclusively with the relationship of the publishers or authors of the Document to the Document's overall subject (or to related matters) and contains nothing that could fall directly within that overall subject. (For example, if the Document is in part a textbook of mathematics, a Secondary Section may not explain any mathematics.) The relationship could be a matter of historical connection with the subject or with related matters, or of legal, commercial, philosophical, ethical or political position regarding them.

The "Invariant Sections" are certain Secondary Sections whose titles are designated, as being those of Invariant Sections, in the notice that says that the Document is released under this License.

The "Cover Texts" are certain short passages of text that are listed, as Front-Cover Texts or Back-Cover Texts, in the notice that says that the Document is released under this License.

A "Transparent" copy of the Document means a machine-readable copy, represented in a format whose specification is available to the general public, whose contents can be viewed and edited directly and straightforwardly with generic text editors or (for images composed of pixels) generic paint programs or (for drawings) some widely available drawing editor, and that is suitable for input to text formatters or for automatic translation to a variety of formats suitable for input to text formatters. A copy made in an otherwise Transparent file format whose markup has been designed to thwart or discourage subsequent modification by readers is not Transparent. A copy that is not "Transparent" is called "Opaque".

Examples of suitable formats for Transparent copies include plain ASCII without markup, Texinfo input format, \LaTeX input format, SGML or XML using a publicly available DTD, and standard-conforming simple HTML designed for human modification. Opaque formats include PostScript, PDF, proprietary formats that can be read and edited only by proprietary word processors, SGML or XML for which the DTD and/or processing tools are not generally available, and the machine-generated HTML produced by some word processors for output purposes only.

The "Title Page" means, for a printed book, the title page itself, plus such following pages as are needed to hold, legibly, the material this License requires to appear in the title page. For works in formats which do not have any title page as such, "Title Page" means the text near the most prominent appearance of the work's title, preceding the beginning of the body of the text.

2. VERBATIM COPYING

You may copy and distribute the Document in any medium, either commercially or noncommercially, provided that this License, the copyright notices, and the license notice saying this License applies to the Document are reproduced in all copies, and that you add no other conditions whatsoever to those of this License. You may not use technical measures to obstruct or control the reading or further copying of the copies you make or distribute. However, you may accept compensation in exchange for copies. If you distribute a large enough number of copies you must also follow the conditions in section 3.

You may also lend copies, under the same conditions stated above, and you may publicly display copies.

3. COPYING IN QUANTITY

If you publish printed copies of the Document numbering more than 100, and the Document's license notice requires Cover Texts, you must enclose the copies in covers that carry, clearly and legibly, all these Cover Texts: Front-Cover Texts on the front cover, and Back-Cover Texts on the back cover. Both covers must also clearly and legibly identify you as the publisher of these copies. The front cover must present the full title with all words of the title equally prominent and visible. You may add other material on the covers in addition. Copying with changes limited to the covers, as long as they preserve the title of the Document and satisfy these conditions, can be treated as verbatim copying in other respects.

If the required texts for either cover are too voluminous to fit legibly, you should put the first ones listed (as many as fit reasonably) on the actual cover, and continue the rest onto adjacent pages.

If you publish or distribute Opaque copies of the Document numbering more than 100, you must either include a machine-readable Transparent copy along with each Opaque copy, or state in or with each Opaque copy a publicly-accessible computer-network location containing a complete Transparent copy of the Document, free of added material, which the general network-using public has access to download anonymously at no charge using public-standard network protocols. If you use the latter option, you must take reasonably prudent steps, when you begin distribution of Opaque copies in quantity, to ensure that this Transparent copy will remain thus accessible at the stated location until at least one year after the last time you distribute an Opaque copy (directly or through your agents or retailers) of that edition to the public.

It is requested, but not required, that you contact the authors of the Document well before redistributing any large number of copies, to give them a chance to provide you with an updated version of the Document.

4. MODIFICATIONS

You may copy and distribute a Modified Version of the Document under the conditions of sections 2 and 3 above, provided that you release the Modified Version under precisely this License, with the Modified Version filling the role of the Document, thus licensing distribution and modification of the Modified Version to whoever possesses a copy of it. In addition, you must do these things in the Modified Version:

A. Use in the Title Page (and on the covers, if any) a title distinct from that of the Document, and from those of previous versions (which should, if there were any, be listed in the History section of the Document). You may use the same title as a previous version if the original publisher of that version gives permission. B. List on the Title Page, as authors, one or more persons or entities responsible for authorship of the modifications in the Modified Version, together with at least five of the principal authors of the Document (all of its principal authors, if it has less than five). C. State on the Title page the name of the publisher of the Modified Version, as the publisher. D. Preserve all the copyright notices of the Document. E. Add an appropriate copyright notice for your modifications adjacent to the other copyright notices. F. Include, immediately after the copyright notices, a license notice giving the public permission to use the Modified Version under the terms of this License, in the form shown in the Addendum below. G. Preserve in that license notice the full lists of Invariant Sections and required Cover Texts given in the Document's license notice. H. Include an unaltered copy of this License. I. Preserve the section entitled "History", and its title, and add to it an item stating at least the title, year, new authors, and publisher of the Modified Version as given on the Title Page. If there is no section entitled "History" in the Document, create one stating the title, year, authors, and publisher of the Document as given on its Title Page, then add an item describing the Modified Version as stated in the previous sentence. J. Preserve the network location, if any, given in the Document for public access to a Transparent copy of the Document, and likewise the network locations given in the Document for previous versions it was based on. These may be placed in the "History" section. You may omit a network location for a work that was published at least four years before the Document itself, or if the original publisher of the version it refers to gives permission. K. In any section entitled "Acknowledgements" or "Dedications", preserve the section's title, and preserve in the section all the substance and tone of each of the contributor acknowledgements and/or dedications given therein. L. Preserve all the Invariant Sections of the Document, unaltered in their text and in their titles. Section numbers or the equivalent are not considered part of the section titles. M. Delete any section entitled "Endorsements". Such a section may not be included in the Modified Version. N. Do not retitle any existing section as "Endorsements" or to conflict in title with any Invariant Section.

If the Modified Version includes new front-matter sections or appendices that qualify as Secondary Sections and contain no material copied from the Document, you may at your option designate some or all of these sections as invariant. To do this, add their titles to the list of Invariant Sections in the Modified Version's license notice. These titles must be distinct from any other section titles.

You may add a section entitled "Endorsements", provided it contains nothing but endorsements of your Modified Version by various parties—for example, statements of peer review or that the text has been approved by an organization as the authoritative definition of a standard.

You may add a passage of up to five words as a Front-Cover Text, and a passage of up to 25 words as a Back-Cover Text, to the end of the list of Cover Texts in the Modified Version. Only one passage of Front-Cover Text and one of Back-Cover Text may be added by (or through arrangements made by) any one entity. If the Document already includes a cover text for the same cover, previously added by you or by arrangement made by the same entity you are acting on behalf of, you may not add another; but you may replace the old one, on explicit permission from the previous publisher that added the old one.

The author(s) and publisher(s) of the Document do not by this License give permission to use their names for publicity for or to assert or imply endorsement of any Modified Version.

5. COMBINING DOCUMENTS

You may combine the Document with other documents released under this License, under the terms defined in section 4 above for modified versions, provided that you include in the combination all of the Invariant Sections of all of the original documents, unmodified, and list them all as Invariant Sections of your combined work in its license notice.

The combined work need only contain one copy of this License, and multiple identical Invariant Sections may be replaced with a single copy. If there are multiple Invariant Sections with the same name but different contents, make the title of each such section unique by adding at the end of it, in parentheses, the name of the original author or publisher of that section if known, or else a unique number. Make the same adjustment to the section titles in the list of Invariant Sections in the license notice of the combined work.

In the combination, you must combine any sections entitled "History" in the various original documents, forming one section entitled "History"; likewise combine any sections entitled "Acknowledgements", and any sections entitled "Dedications". You must delete all sections entitled "Endorsements."

6. COLLECTIONS OF DOCUMENTS

You may make a collection consisting of the Document and other documents released under this License, and replace the individual copies of this License in the various documents with a single copy that is included in the collection, provided that you follow the rules of this License for verbatim copying of each of the documents in all other respects.

You may extract a single document from such a collection, and distribute it individually under this License, provided you insert a copy of this License into the extracted document, and follow this License in all other respects regarding verbatim copying of that document.

7. AGGREGATION WITH INDEPENDENT WORKS

A compilation of the Document or its derivatives with other separate and independent documents or works, in or on a volume of a storage or distribution medium, does not as a whole count as a Modified Version of the Document, provided no compilation copyright is claimed for the compilation. Such a compilation is called an "aggregate", and this License does not apply to the other self-contained works thus compiled with the Document, on account of their being thus compiled, if they are not themselves derivative works of the Document.

If the Cover Text requirement of section 3 is applicable to these copies of the Document, then if the Document is less than one quarter of the entire aggregate, the Document's Cover Texts may be placed on covers that surround only the Document within the aggregate. Otherwise they must appear on covers around the whole aggregate.

8. TRANSLATION

Translation is considered a kind of modification, so you may distribute translations of the Document under the terms of section 4. Replacing Invariant Sections with translations requires special permission from their copyright holders, but you may include translations of some or all Invariant Sections in addition to the original versions of these Invariant Sections. You may include a translation of this License provided that you also include the original English version of this License. In case of a disagreement between the translation and the original English version of this License, the original English version will prevail.

9. TERMINATION

You may not copy, modify, sublicense, or distribute the Document except as expressly provided for under this License. Any other attempt to copy, modify, sublicense or distribute the Document is void, and will automatically terminate your rights under this License. However, parties who have received copies, or rights, from you under this License will not have their licenses terminated so long as such parties remain in full compliance.

10. FUTURE REVISIONS OF THIS LICENSE

The Free Software Foundation may publish new, revised versions of the GNU Free Documentation License from time to time. Such new versions will be similar in spirit to the present version, but may differ in detail to address new problems or concerns. See <http://www.gnu.org/copyleft/>.

Each version of the License is given a distinguishing version number. If the Document specifies that a particular numbered version of this License "or any later version" applies to it, you have the option of following the terms and conditions either of that specified version or of any later version that has been published (not as a draft) by the Free Software Foundation. If the Document does not specify a version number of this License, you may choose any version ever published (not as a draft) by the Free Software Foundation.

ADDENDUM: How to use this License for your documents

To use this License in a document you have written, include a copy of the License in the document and put the following copyright and license notices just after the title page:

Copyright (c) YEAR YOUR NAME. Permission is granted to copy, distribute and/or modify this document under the terms of the GNU Free Documentation License, Version 1.1 or any later version published by the Free Software Foundation; with the Invariant Sections being LIST THEIR TITLES, with the Front-Cover Texts being LIST, and with the Back-Cover Texts being LIST. A copy of the license is included in the section entitled "GNU Free Documentation License".

If you have no Invariant Sections, write "with no Invariant Sections" instead of saying which ones are invariant. If you have no Front-Cover Texts, write "no Front-Cover Texts" instead of "Front-Cover Texts being LIST"; likewise for Back-Cover Texts.

If your document contains nontrivial examples of program code, we recommend releasing these examples in parallel under your choice of free software license, such as the GNU General Public License, to permit their use in free software.

Index

- acme screw, [70](#)
- axis, [70](#)

- backlash, [70](#)
- backlash compensation, [70](#)
- ball nut, [70](#)
- ball screw, [70](#)

- CNC, [70](#)
- comp, [71](#)
- coordinate measuring machine, [71](#)

- display units, [71](#)
- DRO, [71](#)

- EDM, [71](#)
- EMC, [71](#)
- EMCIO, [71](#)
- EMCMOT, [71](#)
- encoder, [71](#)

- feed, [71](#)
- feed override, [71](#)
- feed rate, [71](#)
- feedback, [71](#)

- G-Code, [71](#)
- GUI, [70](#), [71](#)

- HAL, [72](#)
- home, [72](#)

- INI, [72](#)
- Instance, [72](#)

- jog, [72](#)
- joint coordinates, [72](#)

- kinematics, [72](#)

- lead screw, [72](#)
- loop, [73](#)

- machine units, [72](#)
- MDI, [72](#)

- NIST, [72](#)

- offsets, [72](#)

- part Program, [72](#)
- program units, [72](#)

- rapid, [72](#)
- real-time, [73](#)
- RS274NGC, [73](#)
- RTAI, [73](#)
- RTAPI, [73](#)
- RTLINUX, [73](#)

- servo motor, [73](#)
- Signed Integer, [73](#)
- spindle, [73](#)
- stepper motor, [73](#)

- TASK, [73](#)
- Tk, [73](#)
- Traverse Move, [73](#)

- units, [73](#)
- Unsigned Integer, [73](#)

- world coordinates, [73](#)